



Southwire™

30° PLAIN END ELBOWS

SCHEDULE 40 PVC

FEATURES

- A section of Schedule 40 PVC conduit which has been heated and bent to enable a 90° directional change in a conduit run
- A standard conduit bell is formed on one end while the other end is a spigot (plain) end
- Both ends are solvent weld

APPLICATION

- Can be used above ground or buried; suitable for use in concrete encasement

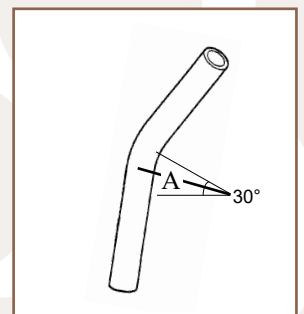
STANDARD MATERIAL

- Schedule 40 PVC



1261

PART #	SIZE	MASTER QTY.	WEIGHT/ CASE (LBS.)	A MIN. RADIUS
1261	1/2"	50	6	4
1262	3/4"	25	3	4.50
1263	1"	20	4	5.75
1264	1-1/4"	25	7	7.25
1265	1-1/2"	20	9	8.25
1266	2"	10	6	9.50
1267	2-1/2"	20	24	10.50
1268	3"	8	15	13
1269	3-1/2"	5	26	15
1270	4"	20	76	16
1270A	5"	30	131	24
1270B	6"	25	92	30



Rev. 0, 03/23

**BUILT FOR DURABILITY.
BUILT FOR RELIABILITY.
BUILT FOR WORK.™**

1-855-798-6657 | SOUTHWIRE.COM

©2023 Southwire Company, LLC. All rights reserved.
*Registered Trademark & ™Trademark of Southwire Company, LLC.