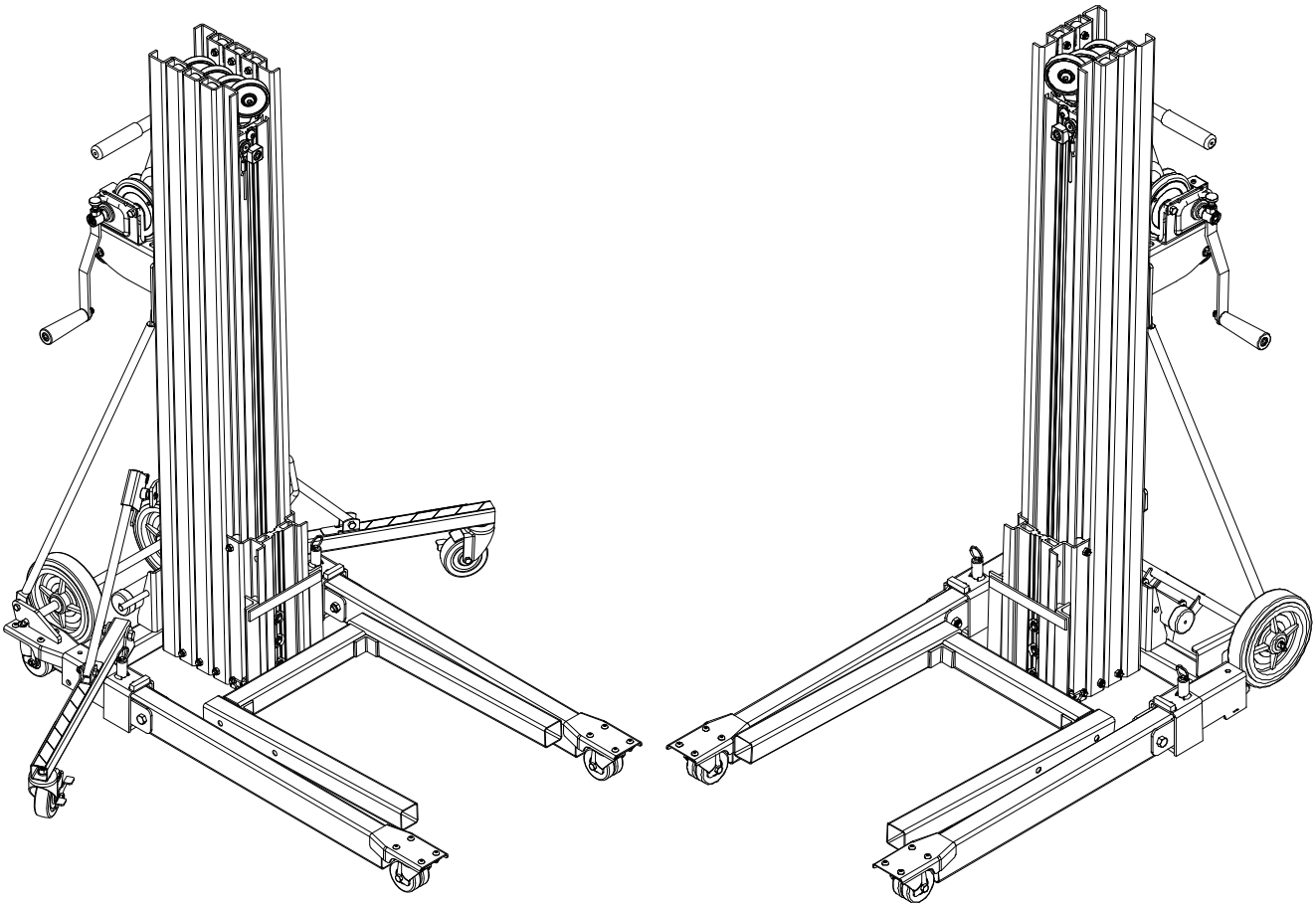

PARTS MANUAL

SERIES 2400 CONTRACTOR LIFT



SUMNER*
A Southwire Company

USA

7514 Alabonson Rd.
Houston, TX 77088
ph: 281-999-6900
fax: 281-999-6966

CANADA

75 Saltsman Drive, Unit 5
Cambridge, Ontario N3H 4R7
ph: 519-653-5300
fax: 519-653-5305

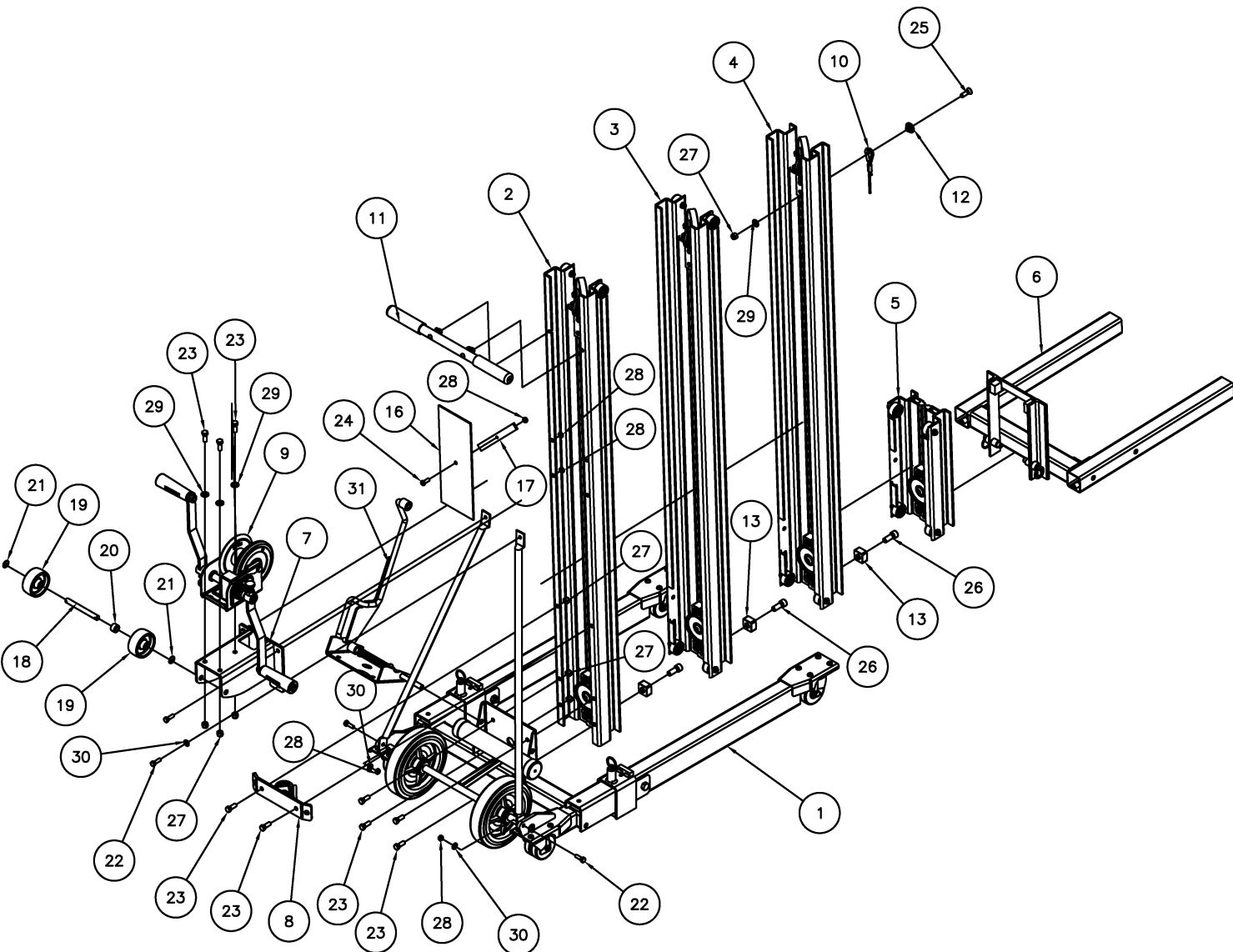
NETHERLANDS

Midden Engweg
21NL-3882TS Putten
Netherlands
europeansales.com
ph: + 31 (0) 85 489 0284

UK

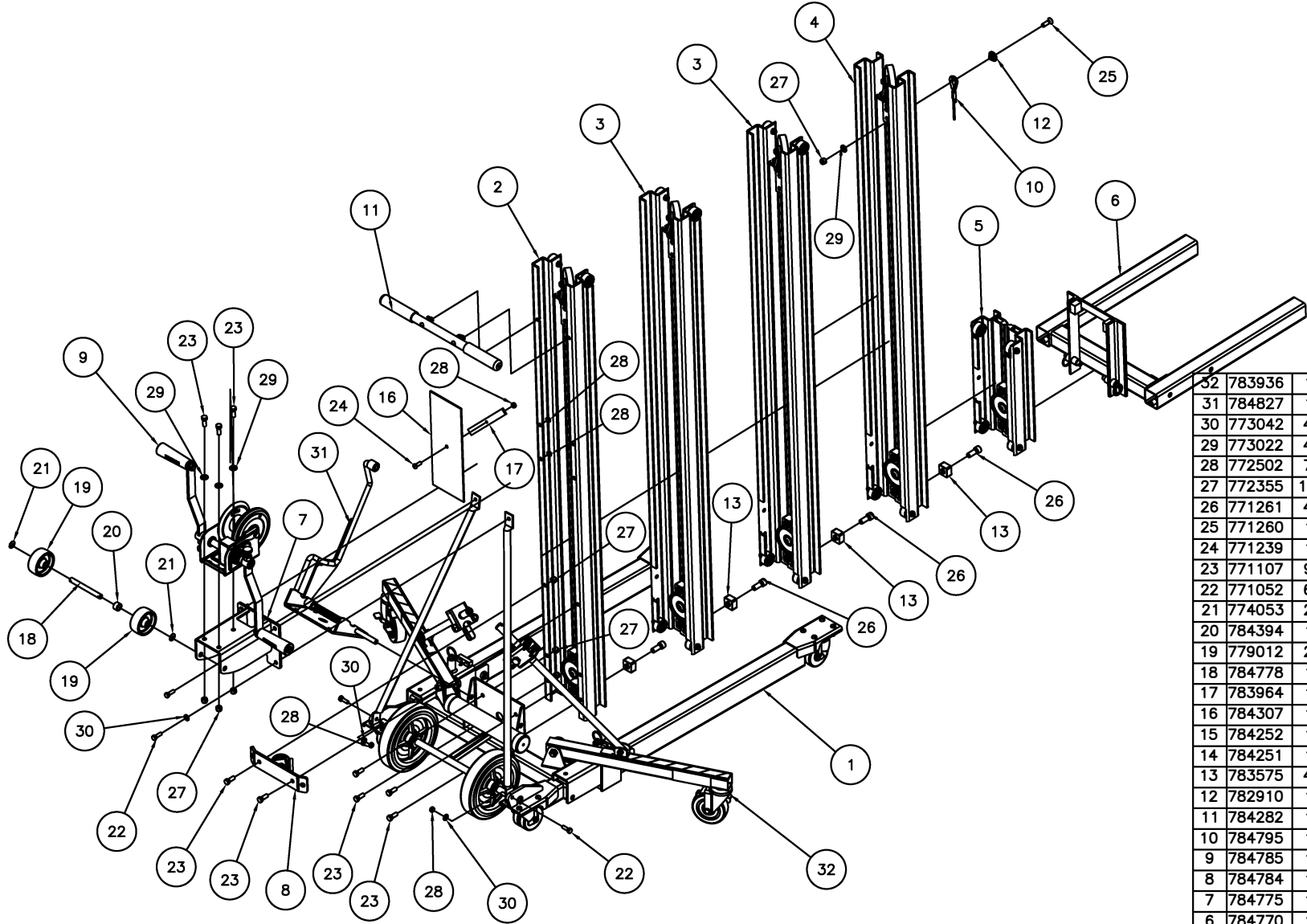
Unit 3 Kempton Road
Keytec 7 Business Park
Persnore, Worcestershire
WR 10 2TA, UK
ph: + 44 (0) 1386 556278
fax: + 44 (0) 1386 556776

784750 - 2412 LIFT ASSEMBLY



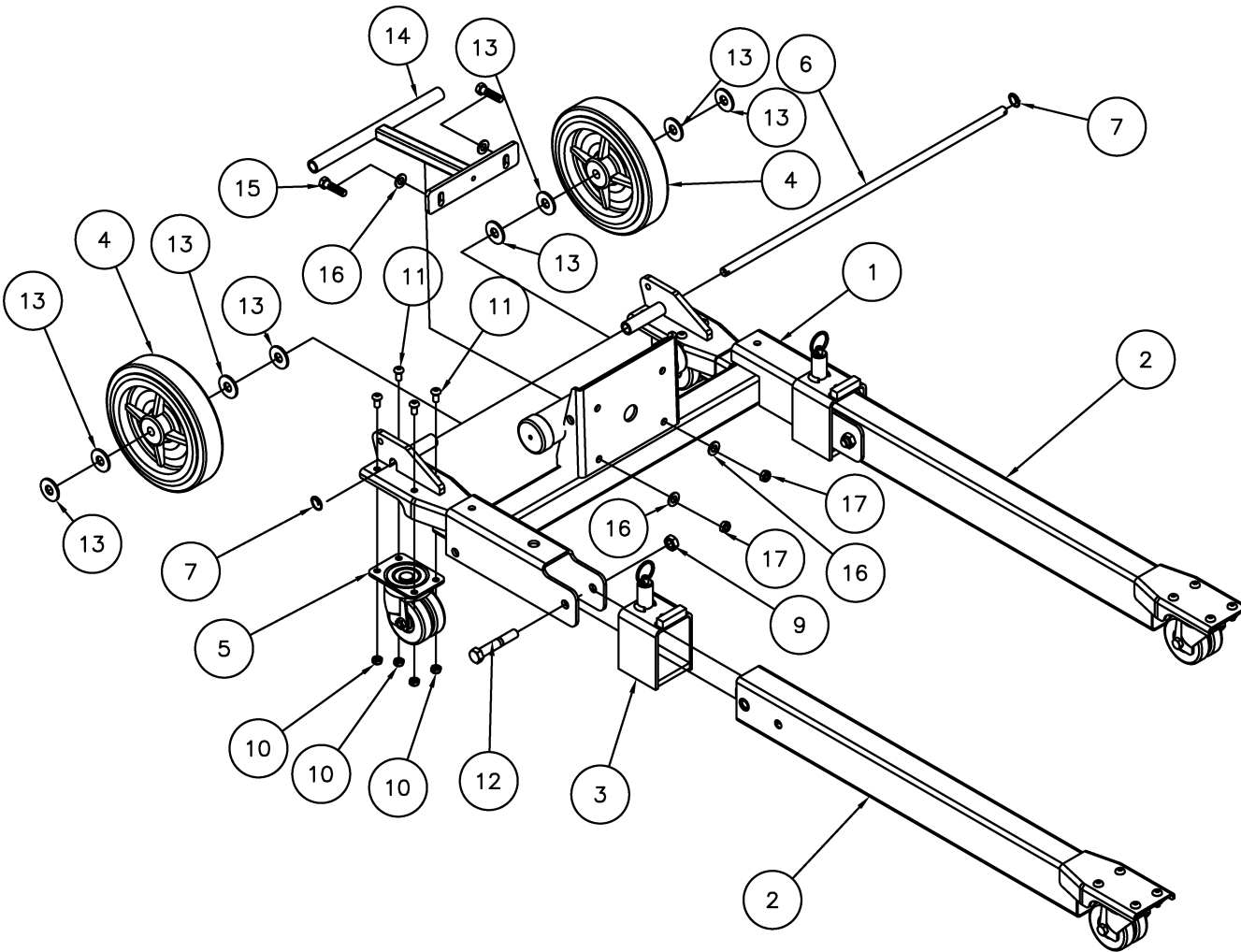
31	784827	1	MAST HOLD DOWN, BAR TYPE 2416
30	773042	4	WASHER, FLAT 5/16
29	773022	4	WASHER, FLAT 3/8 HARDENED
28	772502	7	NUT, INSERT JAM 5/16-18
27	772355	10	NUT, INSERT LOCK 3/8-16
26	771261	3	SCREW, SHC 1/2-13 X 1-1/4
25	771260	1	SCREW, FHSC 3/8-16 X 1-1/4
24	771239	1	SCREW, BHC 5/16-18 X 7/8
23	771107	9	SCREW, HHC 3/8-16 X 1
22	771052	6	SCREW, HHC 5/16-18 X 1 PLTD
21	774053	2	COTTER, CIRCLE Z/P .048 X 3/4
20	784394	1	SPACER, PULLEY 1/2"
19	779012	2	WHEEL, POLY OLEFIN 3"
18	784778	1	SHAFT, WHEEL 2400 LIFT
17	783964	1	STRAP - 6"
16	784307	1	MAST COVER, SHORT 2200 LIFT
15	784252	1	MAST BRACE (RIGHT) 2200 LIFT
14	784251	1	MAST BRACE (LEFT) 2200 LIFT
13	783575	3	STOP BLOCK
12	782910	1	ROPE RETAINER WASHER
11	784282	1	TOP HANDLE ASSEMBLY 2200
10	784790	1	LOAD LINE 2412
9	784785	1	WINCH ASSEMBLY, 2400 LIFT
8	784784	1	SPREADER PLATE ASSEMBLY 2400
7	784775	1	WINCH MOUNTING WELDMENT 2400
6	784770	1	FORK ASSEMBLY 2400
5	784765	1	CARRIAGE ASSEMBLY 2400
4	784740	1	TOP MAST ASSEMBLY 2412
3	784730	1	CENTER MAST ASSEMBLY 2412
2	784720	1	BOTTOM MAST ASSEMBLY 2412 LIFT
1	784715	1	BASE ASSEMBLY 2412 LIFT
Item	Part	Qty	Description
	No.		Parts List

784751 - 2416 LIFT ASSEMBLY



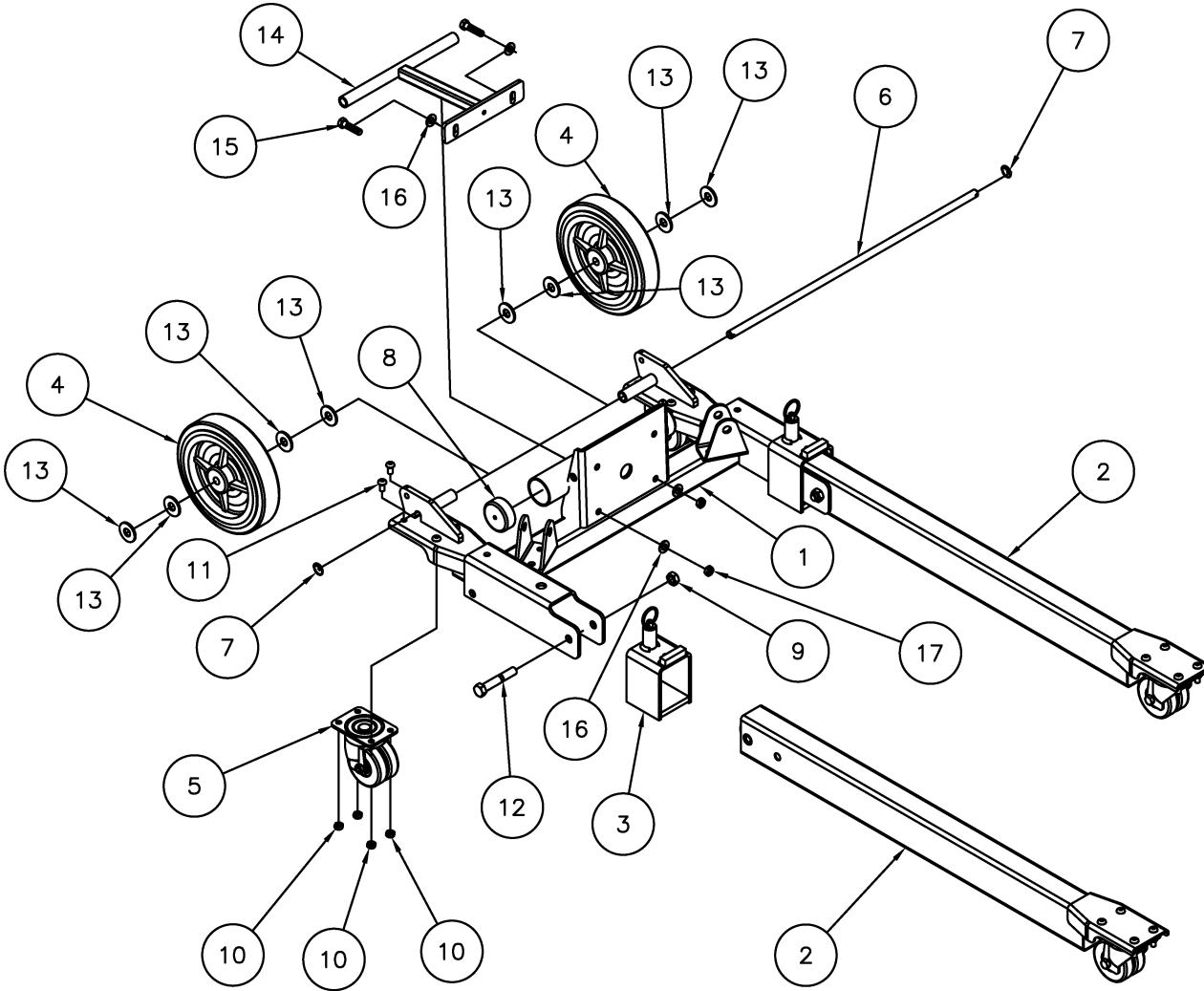
32	783936	1	OUTRIGGER ASSEMBLY 2416 LIFT
31	784827	1	MAST HOLD DOWN, BAR TYPE 2416
30	773042	4	WASHER, FLAT 5/16
29	773022	4	WASHER, FLAT 3/8 HARDENED
28	772502	7	NUT, INSERT JAM 5/16-18
27	772355	10	NUT, INSERT LOCK 3/8-16
26	771261	4	SCREW, SHC 1/2-13 X 1-1/4
25	771260	1	SCREW, FHSC 3/8-16 X 1-1/4
24	771239	1	SCREW, BHC 5/16-18 X 7/8
23	771107	9	SCREW, HHC 3/8-16 X 1
22	771052	6	SCREW, HHC 5/16-18 X 1 PLTD
21	774053	2	COTTER, CIRCLE Z/P .048 X 3/4
20	784394	1	SPACER, PULLEY 1/2"
19	779012	2	WHEEL, POLY OLEFIN 3"
18	784778	1	SHAFT, WHEEL 2400 LIFT
17	783964	1	STRAP - 6"
16	784307	1	MAST COVER, SHORT 2200 LIFT
15	784252	1	MAST BRACE (RIGHT) 2200 LIFT
14	784251	1	MAST BRACE (LEFT) 2200 LIFT
13	783575	4	STOP BLOCK
12	782910	1	ROPE RETAINER WASHER
11	784282	1	TOP HANDLE ASSEMBLY 2200
10	784795	1	LOAD LINE 2416
9	784785	1	WINCH ASSEMBLY, 2400 LIFT
8	784784	1	SPREADER PLATE ASSEMBLY 2400
7	784775	1	WINCH MOUNTING WELDMENT 2400
6	784770	1	FORK ASSEMBLY 2400
5	784765	1	CARRIAGE ASSEMBKY 2400
4	784740	1	TOP MAST ASSEMBLY 2412
3	784730	2	CENTER MAST ASSEMBLY 2412
2	784720	1	BOTTOM MAST ASSEMBLY 2412 LIFT
1	784717	1	BASE ASSEMBLY 2416 LIFT
Item No.	Part	Qty	Description
			Parts List

784715 - 2412 BASE ASSEMBLY



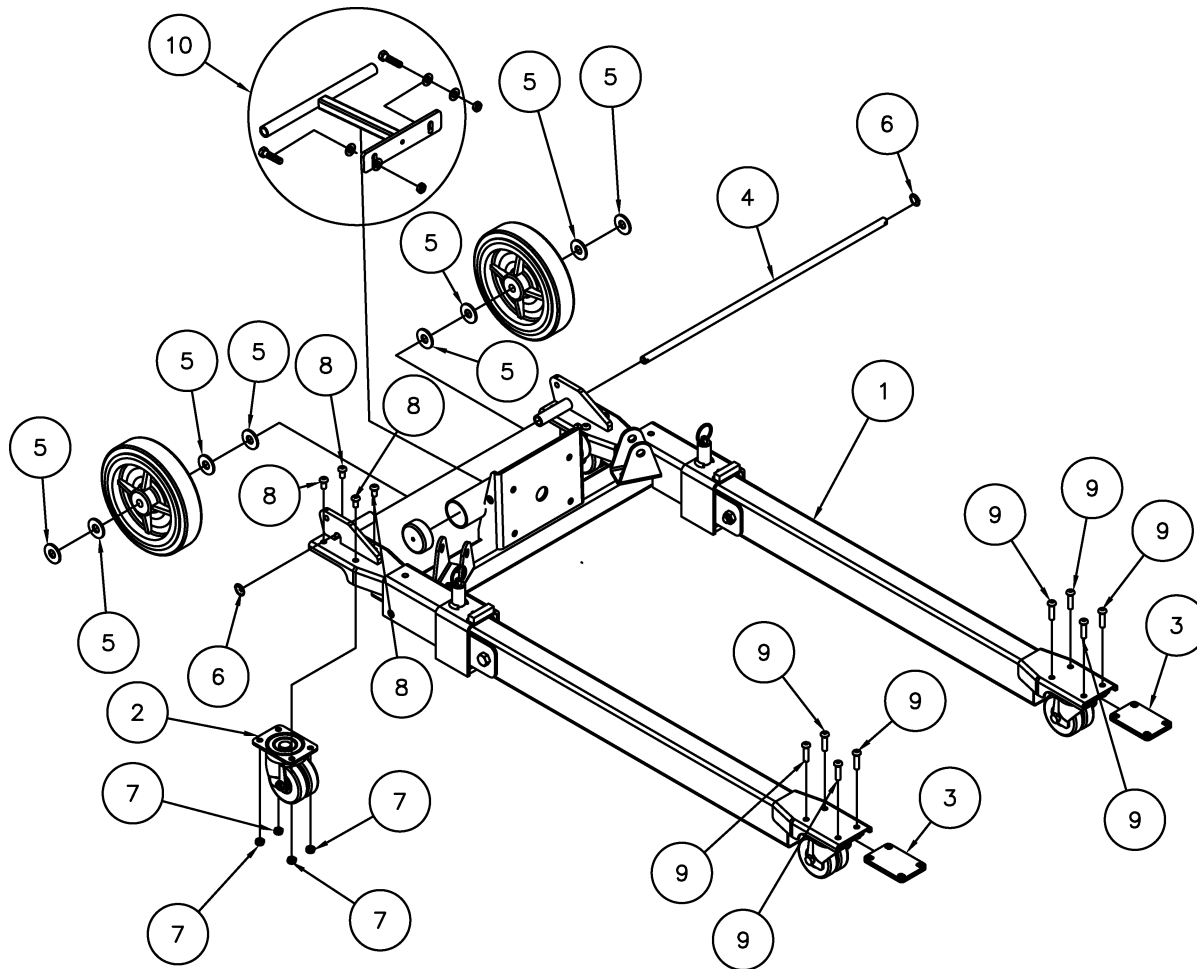
17	772350	2	NUT,INSERT JAM 3/8-16
16	773040	4	WASHER,FLAT 3/8 USS
15	771090	2	SCREW,HHC 3/8-16 X 1-1/2
14	784907	1	AXLE SUPPORT REINFORCEMENT WLDMT
13	773060	8	WASHER, FLAT 1/2 USS
12	771142	2	SCREW, HHC 1/2-13 X 3
11	771049	8	SCREW, BHC 5/16-18 X 5/8
10	772502	8	NUT, INSERT JAM 5/16-18
9	772358	2	NUT, INSERT JAM 1/2-13
8	779905	2	CAP, 2" OD TUBE, BLK
7	774053	2	COTTER, CIRCLE Z/P .048 X 3/4
6	784585	1	AXLE, 2412 LIFT
5	779036	2	CASTER, 3" DUAL WHEEL W/BRAKE
4	779031	2	WHEEL, 8" THERMOPLASTIC GRAY
3	784820	2	LEG LOCK ASSEMBLY
2	784810	2	FRONT LEG ASSY, 2412 LIFT
1	784800	1	BASE WELDMENT 2412 LIFT
Item	Part No.	Qty	Description
Parts List			

784717 - 2416 BASE ASSEMBLY



17	772350	2	NUT,INSERT JAM 3/8-16
16	773040	4	WASHER,FLAT 3/8 USS
15	771090	2	SCREW,HHC 3/8-16 X 1-1/2
14	784907	1	AXLE SUPPORT REINFORCEMENT WLDMT
13	773060	8	WASHER, FLAT 1/2 USS
12	771142	2	SCREW, HHC 1/2-13 X 3
11	771049	8	SCREW, BHC 5/16-18 X 5/8
10	772502	8	NUT, INSERT JAM 5/16-18
9	772358	2	NUT, INSERT JAM 1/2-13
8	779905	2	CAP, 2" OD TUBE, BLK
7	774053	2	COTTER, CIRCLE Z/P .048 X 3/4
6	784585	1	AXLE, 2412 LIFT
5	779036	2	CASTER, 3" DUAL WHEEL W/BRAKE
4	779031	2	WHEEL, 8" THERMOPLASTIC GRAY
3	784820	2	LEG LOCK ASSEMBLY
2	784813	2	FRONT LEG ASSY, 2416 LIFT
1	784799	1	BASE WELDMENT 2416 LIFT
Item	Part No.	Qty	Description
Parts List			

784714 - 2416 BASE ASSEMBLY CONVERSION KIT

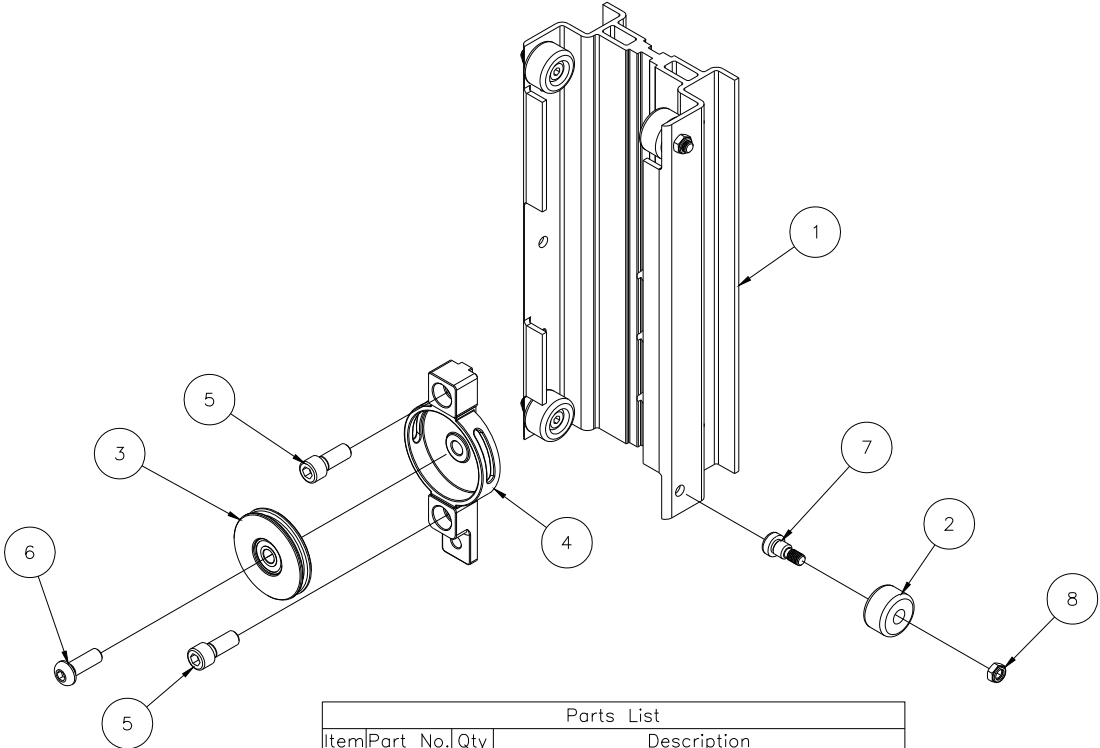


10	784906	1	AXLE SUPPORT REINFORCEMENT KIT
9	771239	8	SCREW, BHC 5/16-18 X 7/8
8	771049	8	SCREW, BHC 5/16-18 X 5/8
7	772502	16	NUT, INSERT JAM 5/16-18
6	774053	2	COTIER, CIRCLE Z/P .048 X 3/4
5	773060	4	WASHER, FLAT 1/2 USS
4	784585	1	AXLE, 2412 LIFT
3	783098	2	SPACER, CASTER PLATE
2	779036	2	CASTER, 3" DUAL WHEEL W/BRAKE
1	784800	1	BASE WELDMENT 2412 LIFT
Item	Part No.	Qty	Description
Parts List			

CUSTOMER WILL REUSE EXISTING LEG WELDMENTS, FRONT CASTERS, LEG LOCKS, AND 8" THERMOPLASTIC WHEELS.

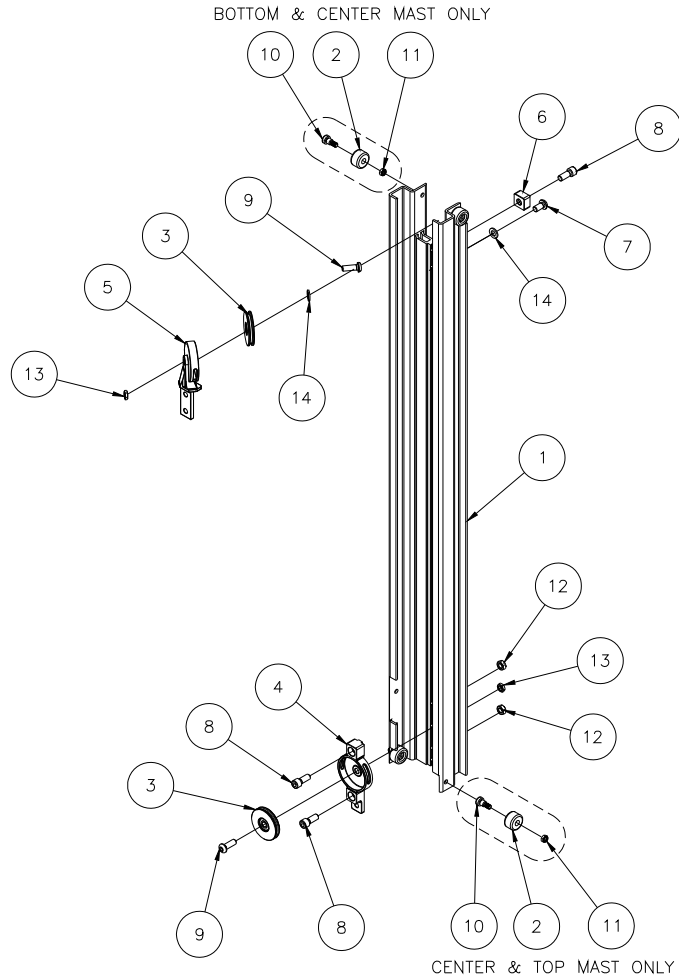
IF LIFT SERIAL NUMBER IS #6902 OR HIGHER THE CUSTOMER WILL REUSE THE AXLE SUPPORT REINFORCEMENT KIT.

784765 - CARRIAGE ASSEMBLY



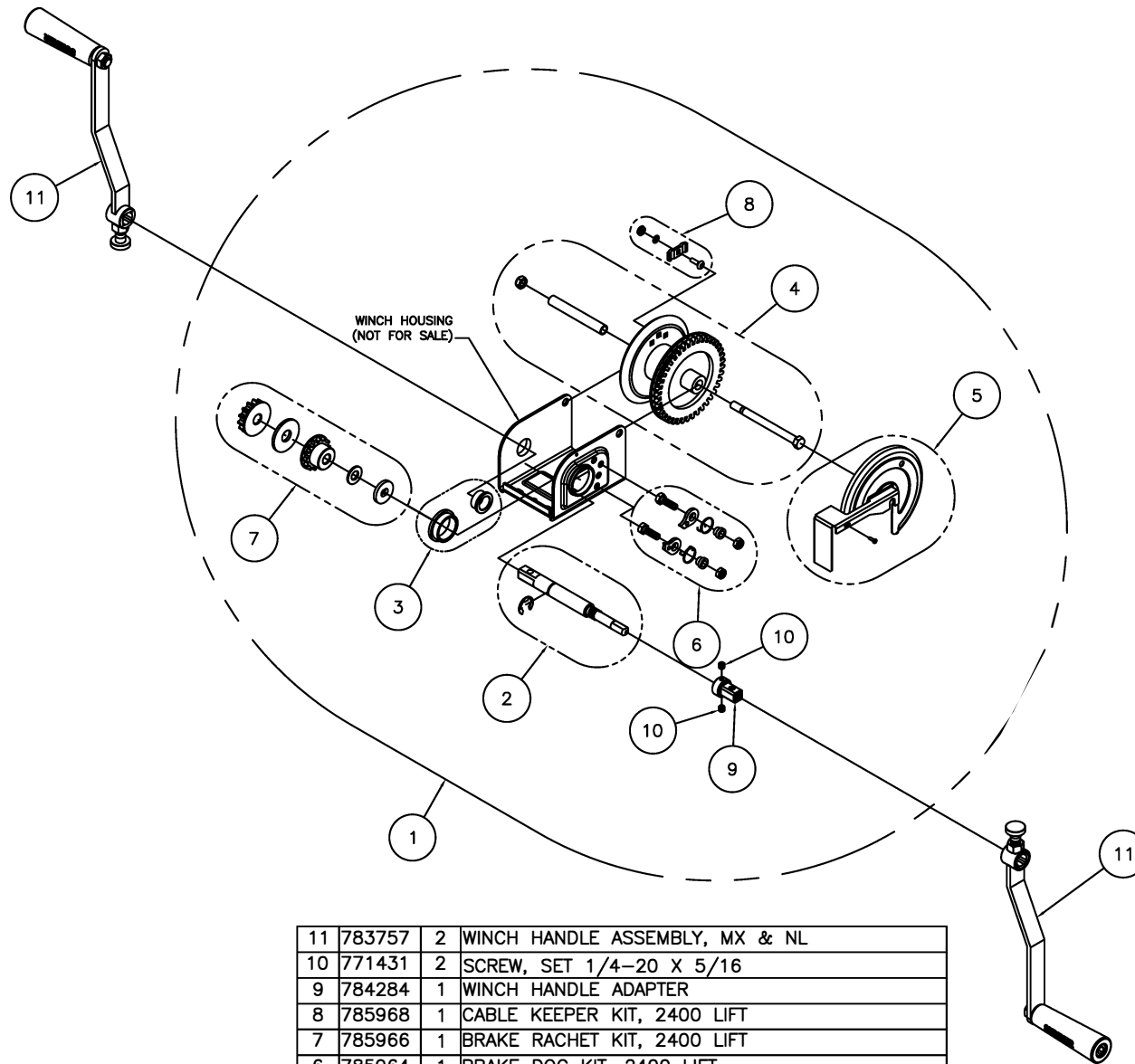
Parts List			
Item	Part No.	Qty	Description
1	784766	1	CARRIAGE MACHINED 2400 LIFT
2	784722	4	MAST ROLLER 2400 LIFT
3	784724	1	PULLEY ASSEMBLY 3"
4	784705	1	PULLEY COVER
5	771261	2	SCREW, SHC 1/2-13 X 1-1/4
6	771263	1	SCREW, BHC M12-1.75 X 35
7	771350	4	SCREW, SHOULDER 1/2 X 1/2
8	772350	4	NUT, INSERT JAM 3/8-16
9	772358	2	NUT, INSERT JAM 1/2-13
10	772505	1	NUT, JAM LOCK M12

MAST ASSEMBLY



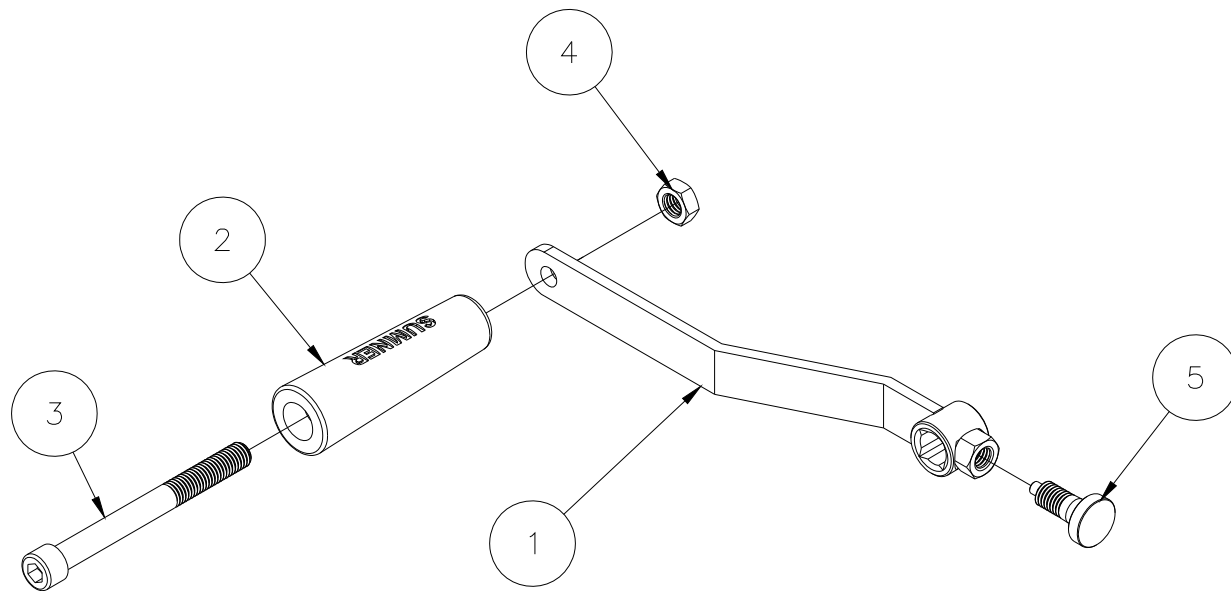
14	773096	2	WASHER, FLAT M12
13	772505	2	NUT, JAM LOCK M12
12	772358	2	NUT, INSERT JAM 1/2-13
11	772350	2	NUT, INSERT JAM 3/8-16 (TOP & BOTTOM MAST)
	772350	4	NUT, INSERT JAM 3/8-16 (CENTER MAST)
10	771350	2	SCREW, SHOULDER 1/2 X 1/2 (TOP & BOTTOM MAST)
	771350	4	SCREW, SHOULDER 1/2 X 1/2 (CENTER MAST)
9	771263	2	SCREW, BHC M12-1.75 X 35
8	771261	3	SCREW, SHC 1/2-13 X 1-1/4
7	771259	1	SCREW, BHC 1/2-13 X 1
6	783575	1	STOP BLOCK
5	784710	1	PULLEY MOUNT
4	784705	1	PULLEY COVER
3	784724	2	PULLEY ASSEMBLY 3"
2	784722	2	MAST ROLLER 2400 LIFT (TOP & BOTTOM MAST)
	784722	4	MAST ROLLER 2400 LIFT (CENTER MAST)
	784741	1	TOP MAST MACHINED 2412
1	784731	1	CENTER MAST MACHINED 2412
	784721	1	BOTTOM MAST MACHINED 2412
Item	Part No.	Qty	Description
Parts List			

784785 - WINCH ASSEMBLY, **NEW 2400 LIFT**



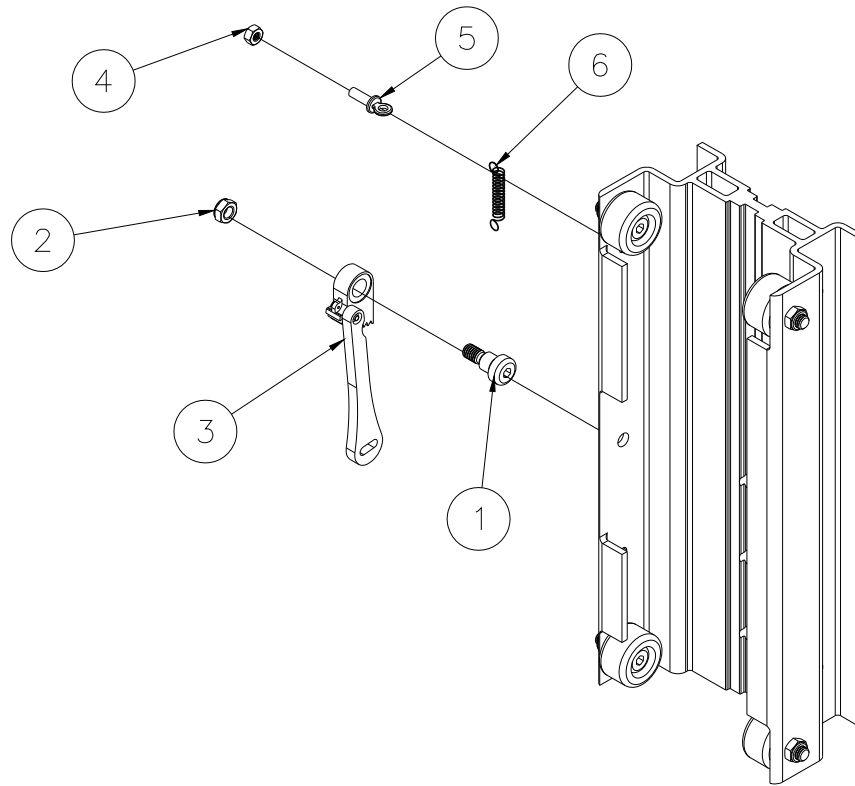
11	783757	2	WINCH HANDLE ASSEMBLY, MX & NL
10	771431	2	SCREW, SET 1/4-20 X 5/16
9	784284	1	WINCH HANDLE ADAPTER
8	785968	1	CABLE KEEPER KIT, 2400 LIFT
7	785966	1	BRAKE RACHET KIT, 2400 LIFT
6	785964	1	BRAKE DOG KIT, 2400 LIFT
5	785962	1	WINCH COVER, 2400 LIFT
4	785960	1	WINCH DRUM W/SHAFT, 2400 LIFT
3	785958	1	WINCH HOUSING BEARINGS, 2400 LIFT
2	785957	1	WINCH SHAFT KIT, 2400 LIFT (NEW THREAD)
1	785951	1	WINCH ASSEMBLY NEW, 2400 LIFT W/O HANDLES
Item	Part	Qty	Description
			Parts List

783757 - WINCH HANDLE ASSEMBLY



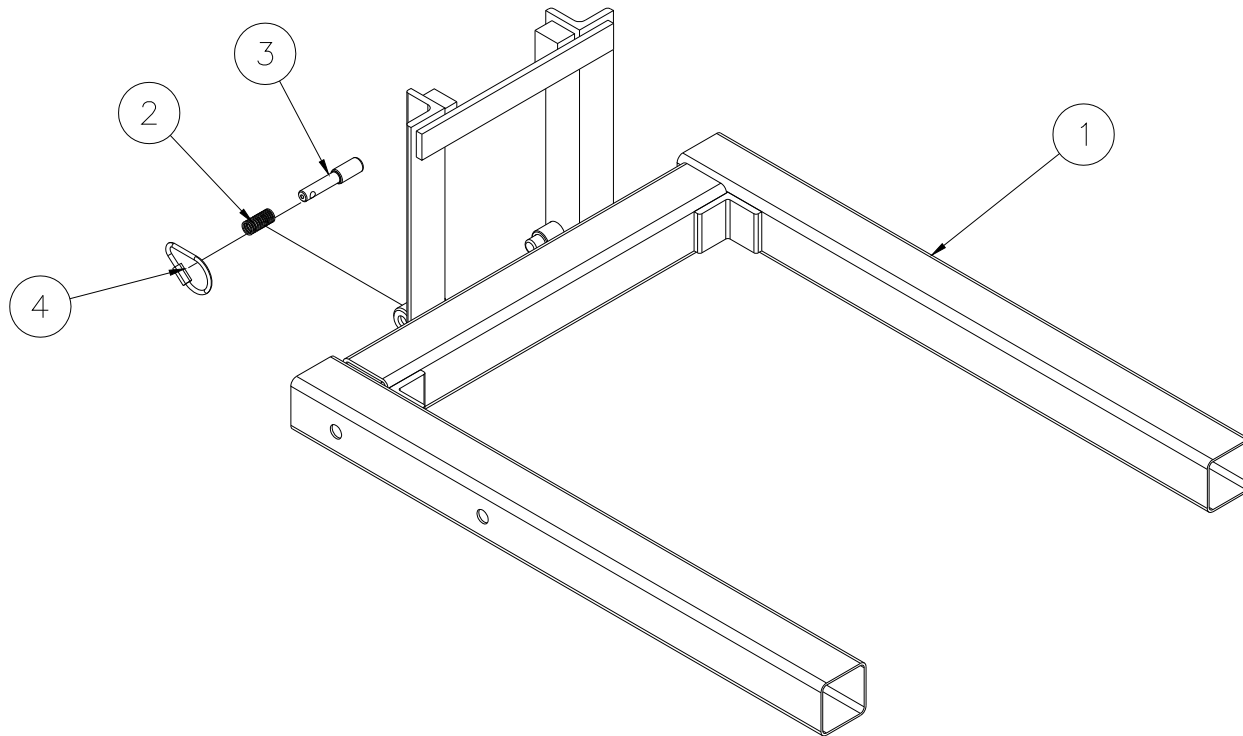
5	774180	1	PLUNGER ASSEMBLY
4	772358	1	1/2-13 INSERT JAM LOCK NUT
3	771254	1	SHCS 1/2-13 x 5
2	780182	1	WINCH HANDLE SLEEVE
1	783756	1	HANDLE WELDMENT
Item	Part No.	Qty	Description
Parts List			

784755 - SAFETY BRAKE ASSEMBLY - OPTIONAL



Parts List			
Item	Part No.	Qty	Description
1	771350	1	SCREW, SHOULDER 1/2 X 1/2
2	772350	1	NUT, INSERT JAM 3/8-16
3	784692	1	SAFETY BRAKE ASSEMBLY
4	772076	1	NUT, INSERT LOCK 1/4-20
5	779900	1	SCREW, ADJUSTING
6	783530	1	BRAKE SPRING

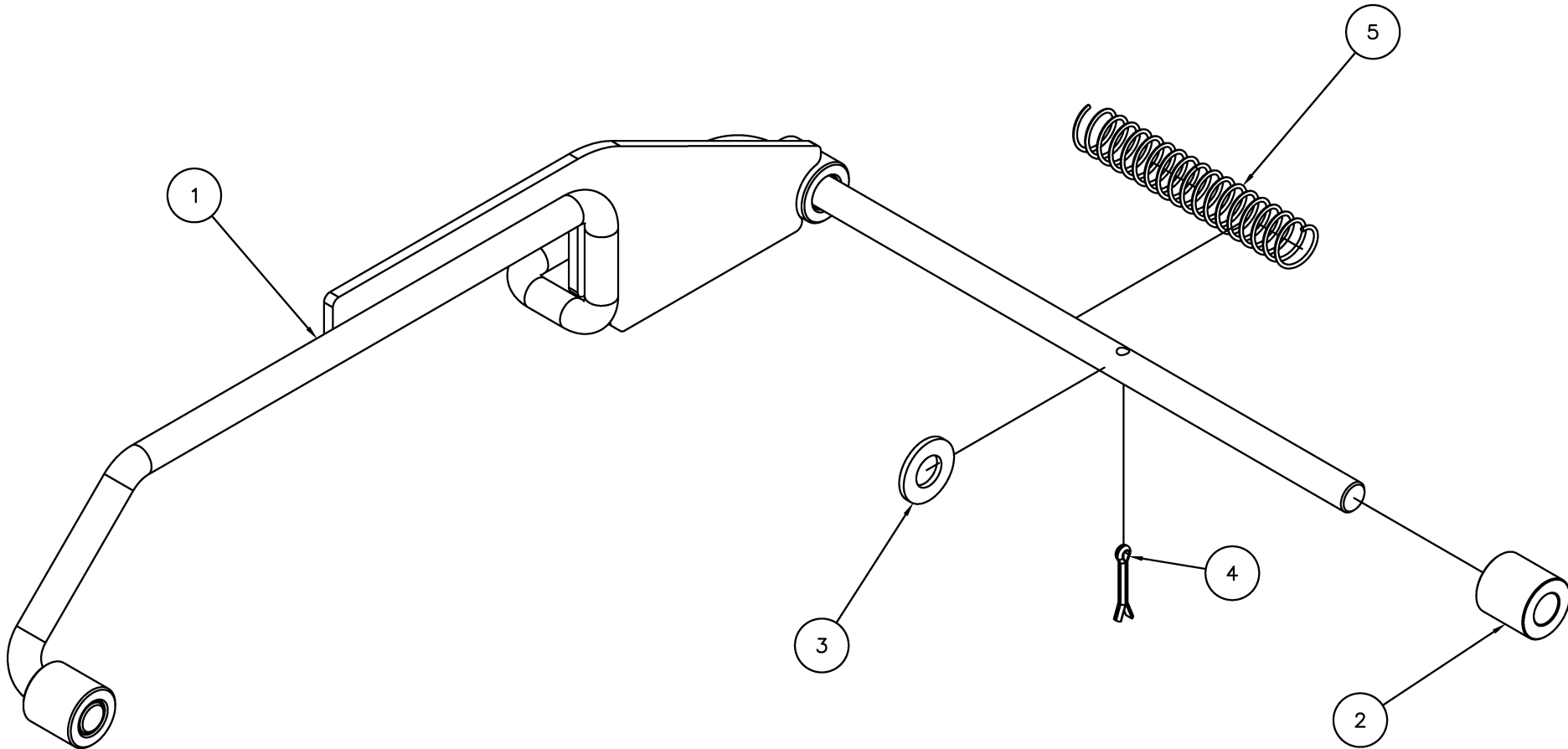
784770 - FORK ASSEMBLY



4	779317	2	RAPID LINK, 1/8"
3	782510	2	PLUNGER
2	776212	2	PLUNGER SPRING
1	784771	1	FORK WELDMENT 2400 LIFT
Item	Part No.	Qty	Description
Parts List			

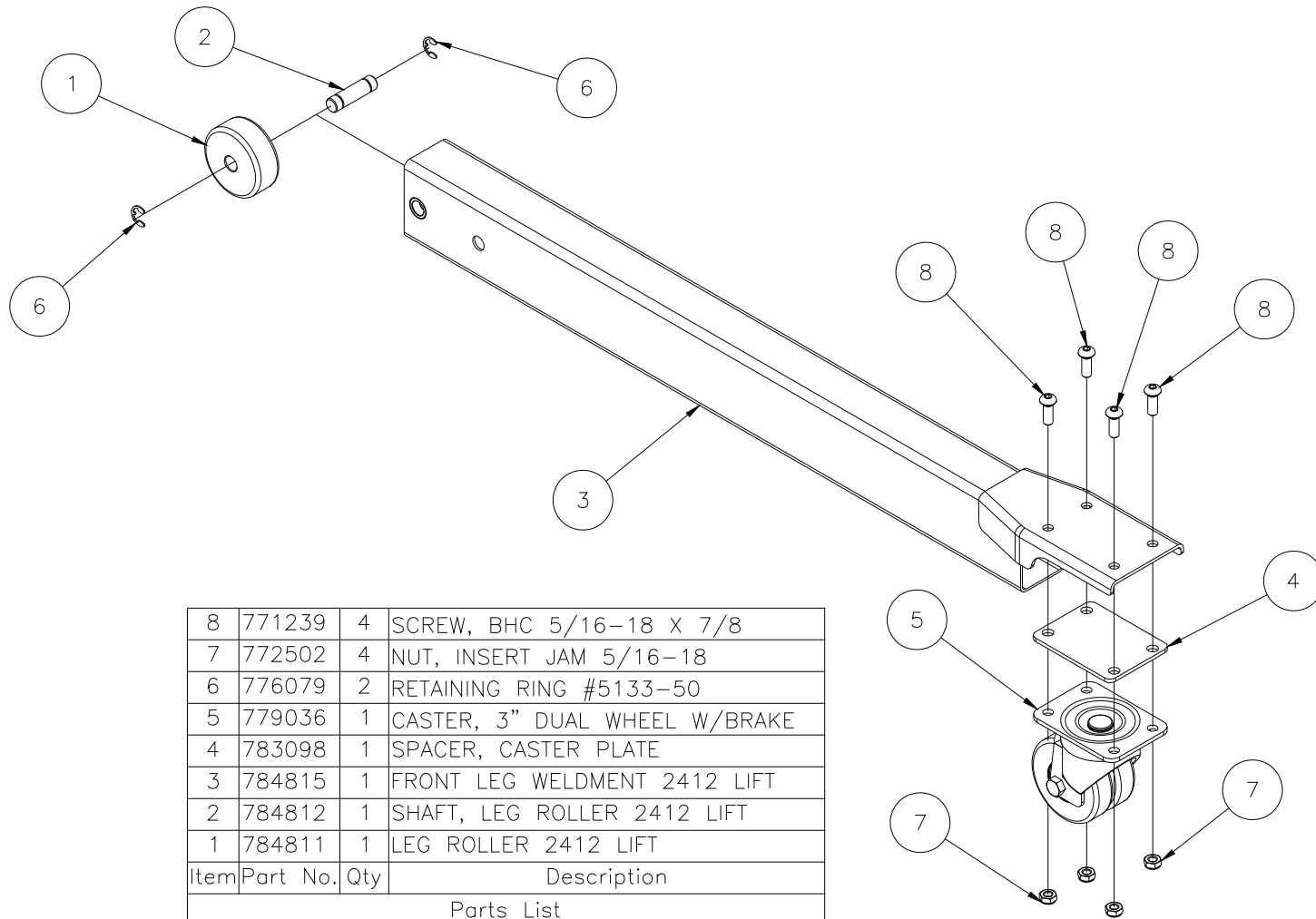
784827 -

T L WN, T E 24 2 24



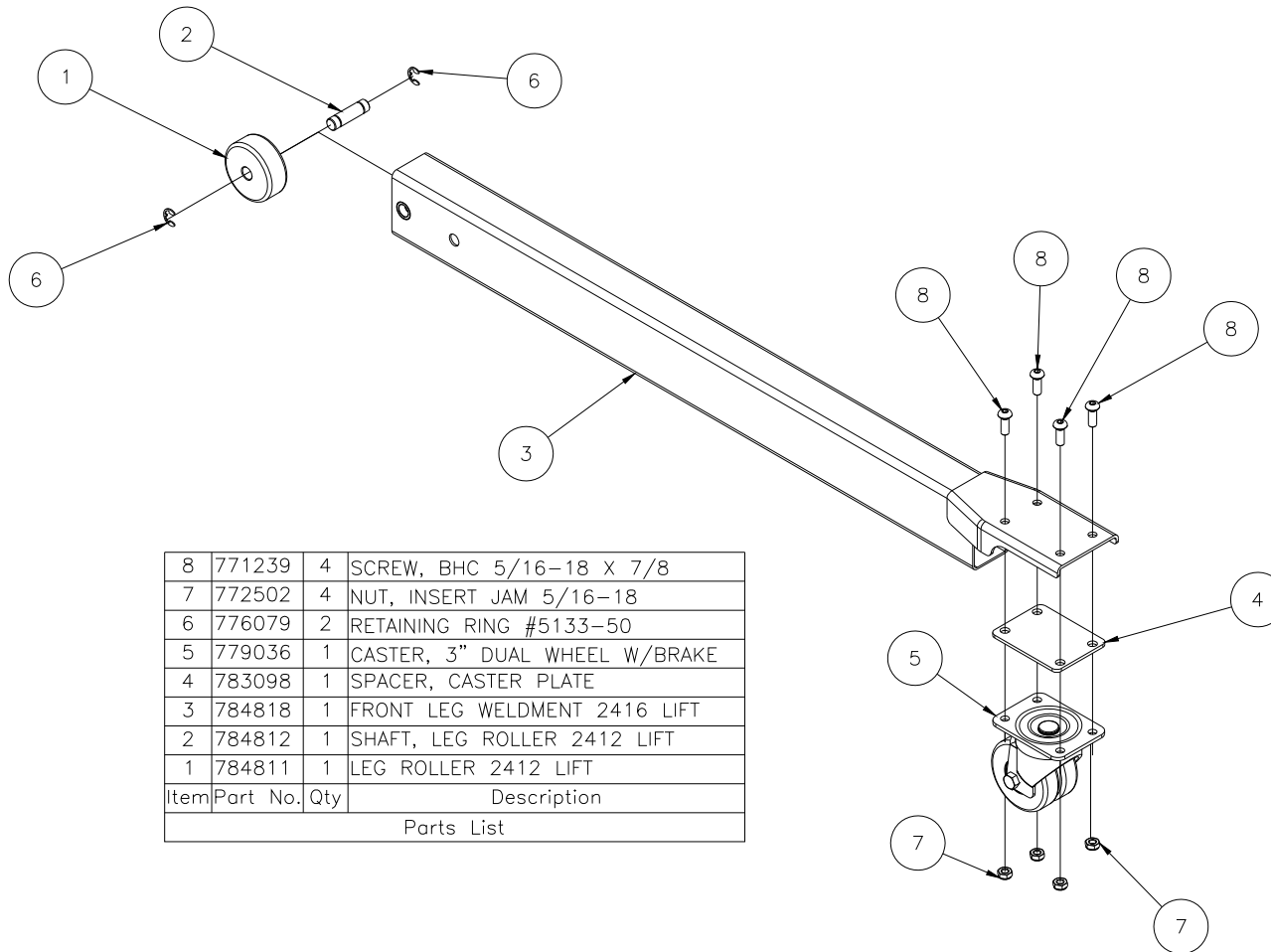
5	776216	2	SPRING, CENTURY #71912S
4	774051	1	PIN, COTTER 1/8 X 3/4
3	773096	1	WASHER, FLAT M12
2	783045	1	MAST HOLD DOWN SPACER, PLTD.
1	784828	1	MAST HOLD DOWN WELDMENT, 2412/2416
Item	Part	Qty	Description
	No.		Parts List

784810 - 2412 FRONT LEG ASSEMBLY



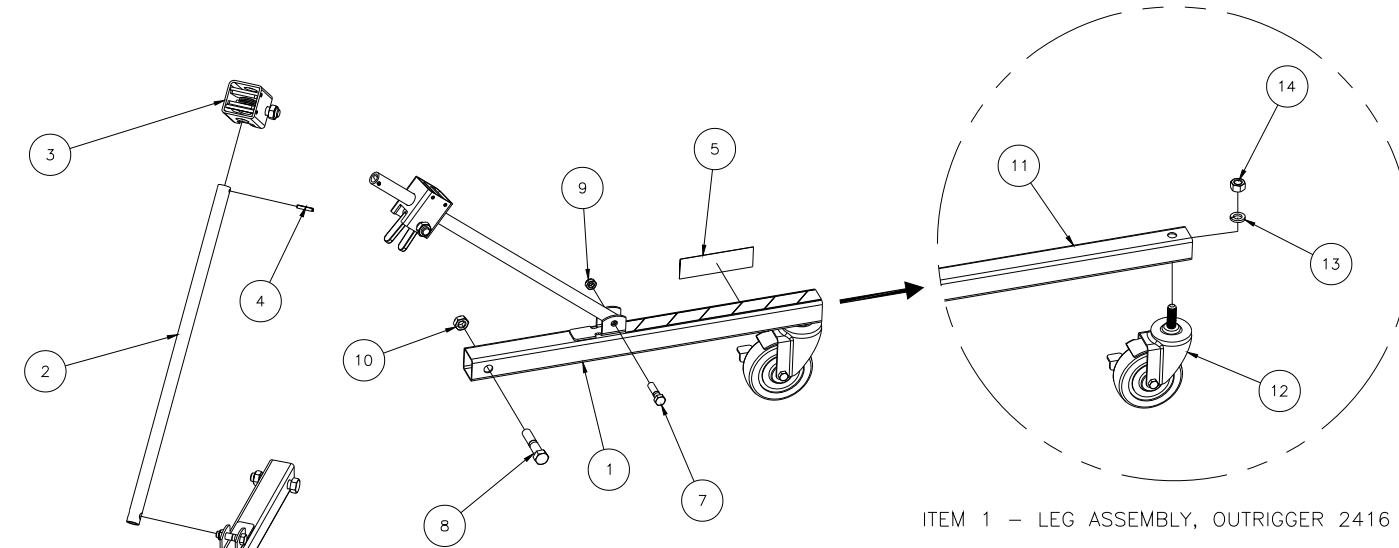
8	771239	4	SCREW, BHC 5/16-18 X 7/8
7	772502	4	NUT, INSERT JAM 5/16-18
6	776079	2	RETAINING RING #5133-50
5	779036	1	CASTER, 3" DUAL WHEEL W/BRAKE
4	783098	1	SPACER, CASTER PLATE
3	784815	1	FRONT LEG WELDMENT 2412 LIFT
2	784812	1	SHAFT, LEG ROLLER 2412 LIFT
1	784811	1	LEG ROLLER 2412 LIFT
Item	Part No.	Qty	Description
Parts List			

784813 - 2416 FRONT LEG ASSEMBLY



8	771239	4	SCREW, BHC 5/16-18 X 7/8
7	772502	4	NUT, INSERT JAM 5/16-18
6	776079	2	RETAINING RING #5133-50
5	779036	1	CASTER, 3" DUAL WHEEL W/BRAKE
4	783098	1	SPACER, CASTER PLATE
3	784818	1	FRONT LEG WELDMENT 2416 LIFT
2	784812	1	SHAFT, LEG ROLLER 2412 LIFT
1	784811	1	LEG ROLLER 2412 LIFT
Item	Part No.	Qty	Description
Parts List			

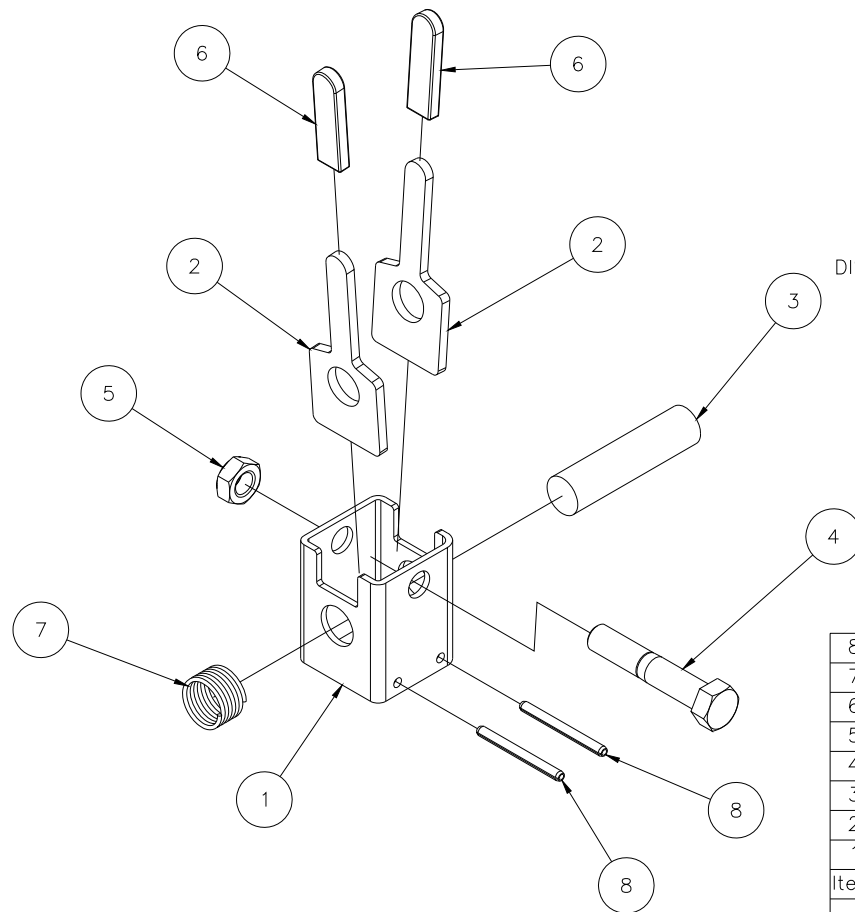
783936 - OUTRIGGER ASSEMBLY



ITEM 1 - LEG ASSEMBLY, OUTRIGGER 2416

14	772100	1	NUT, HEX 1/2-13
13	773590	1	WASHER, LOCK 1/2
12	779032	1	CASTER 4 X 1-1/4, 1/2-13 POST
11	784902	1	LEG WELDMENT, OUTRIGGER 2416
10	772358	2	NUT, INSERT JAM 1/2-13
9	772350	2	NUT, INSERT JAM 3/8-16
8	771127	2	SCREW, HHC 1/2-13 X 2-1/2 GRD 5
7	771090	2	SCREW, HHC 3/8-16 X 1-1/2
6	778362	2	TAPE, 1" B/Y CAUTION STRIPE
5	778348	2	LABEL, LOWER STABILIZER LEGS
4	774080	2	PIN, ROLL 3/16 X 1
3	783940	2	OUTRIGGER LOCK ASSEMBLY
2	783943	2	OUTRIGGER SUPPORT TUBE
1	784901	2	LEG ASSEMBLY, OUTRIGGER 2416
Item	Part No.	Qty	Description
Parts List			

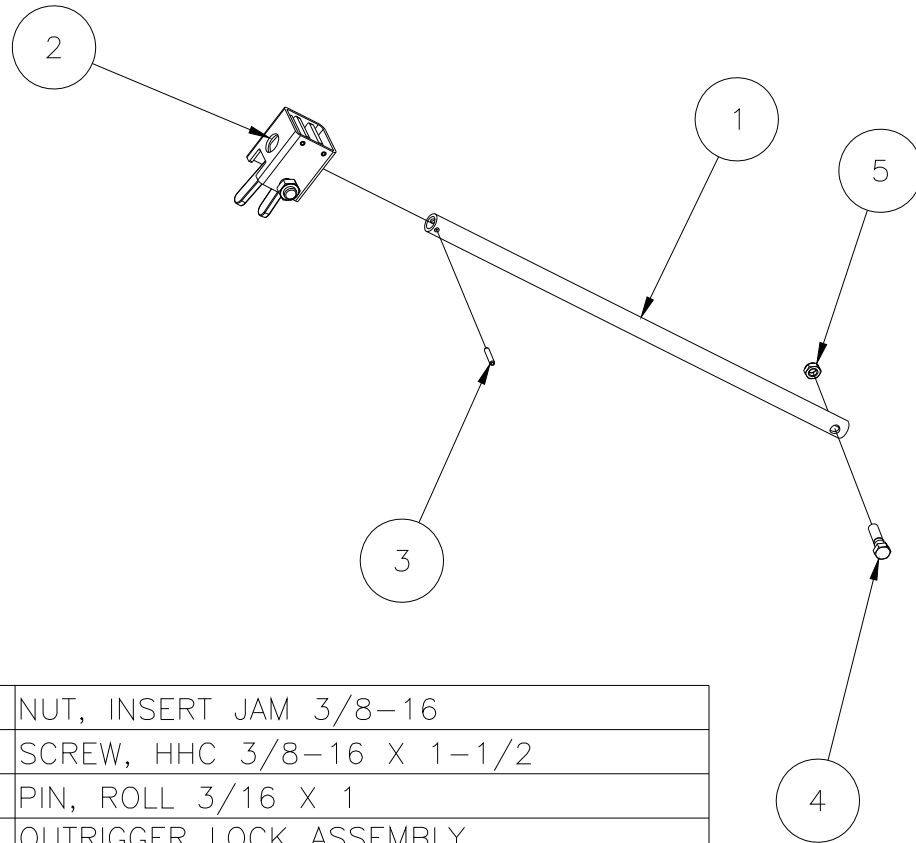
783940 - OUTRIGGER LOCK ASSEMBLY



DISCARD ITEM #3 ONCE THE OUTRIGGER
LOCK ASSEMBLY IS IN PLACE ON
THE OUTRIGGER SUPPORT TUBE

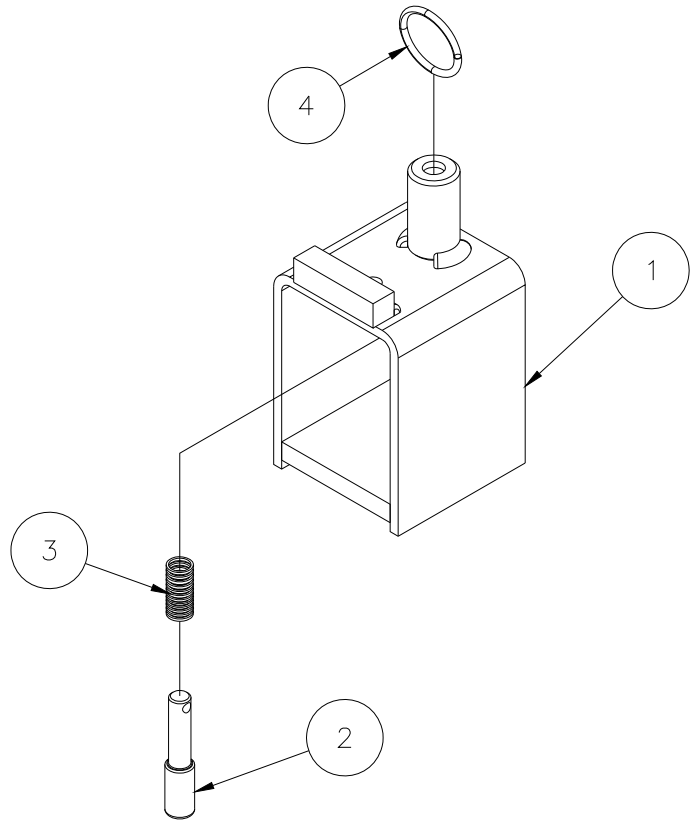
8	774084	2	PIN, ROLL 3/16 X 2
7	776221	1	SPRING, CENTURY #2952
6	779938	2	CAP, RECT RD END 3/16 X 1/2 X 2
5	772358	1	NUT, INSERT JAM 1/2-13
4	771141	1	SCREW, HHC 1/2-13 X 2-3/4
3	783944	1	OUTRIGGER SUPPORT TUBE STUB
2	783942	2	OUTRIGGER LOCK FINGER
1	783941	1	OUTRIGGER LOCK TUBE
Item	Part No.	Qty	Description
Parts List			

783945 - OUTRIGGER LOCK KIT



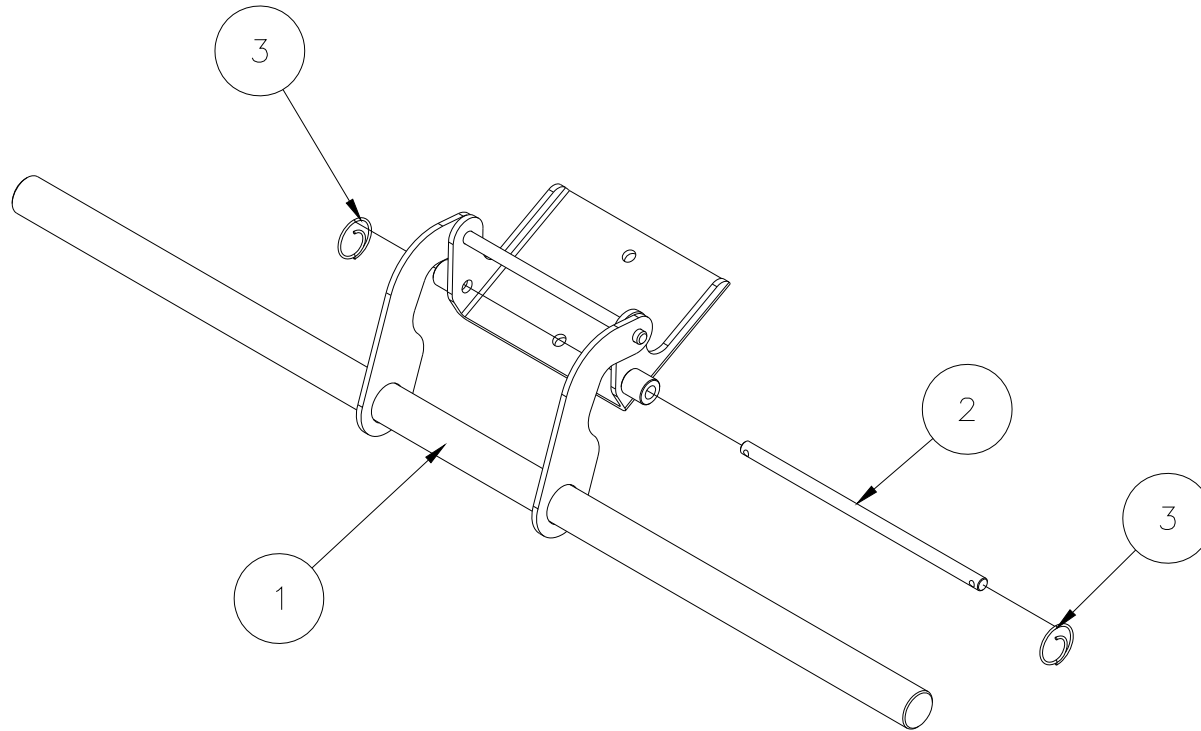
5	772350	1	NUT, INSERT JAM 3/8-16
4	771090	1	SCREW, HHC 3/8-16 X 1-1/2
3	774080	1	PIN, ROLL 3/16 X 1
2	783940	1	OUTRIGGER LOCK ASSEMBLY
1	783943	1	OUTRIGGER SUPPORT TUBE
Item	Part No.	Qty	Description
Parts List			

784820 - LEG LOCK ASSEMBLY



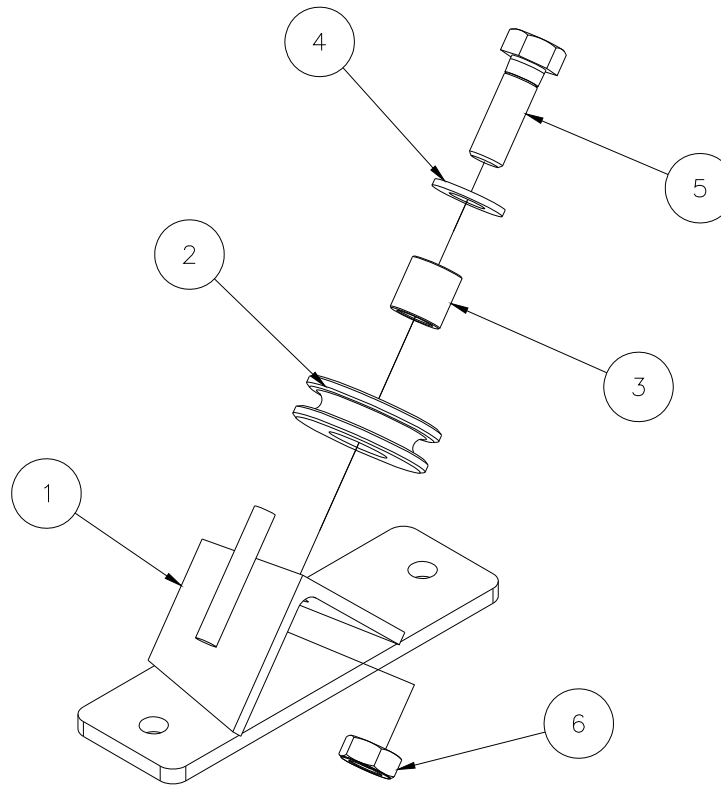
4	775110	1	SPLIT RING 1-1/4" NICK. PLTD.
3	776212	1	SPRING, #DWC-042-G-9
2	782510	1	PLUNGER
1	784821	1	LEG LOCK WELDMENT 2400 LIFT
Item	Part No.	Qty	Description
Parts List			

784620 - BRAKE ASSEMBLY



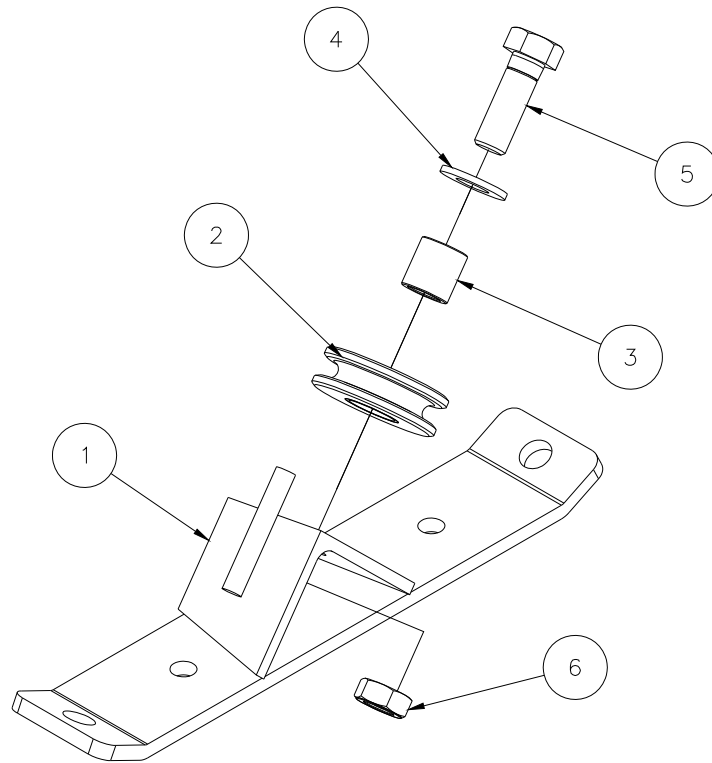
3	774053	2	.750Ø RING COTTER
2	784216	1	BRAKE MOUNT PIN
1	784625	1	BRAKE WELDMENT
Item	Part No.	Qty	Description
Parts List			

784780 - 2412 SPREADER PLATE ASSEMBLY



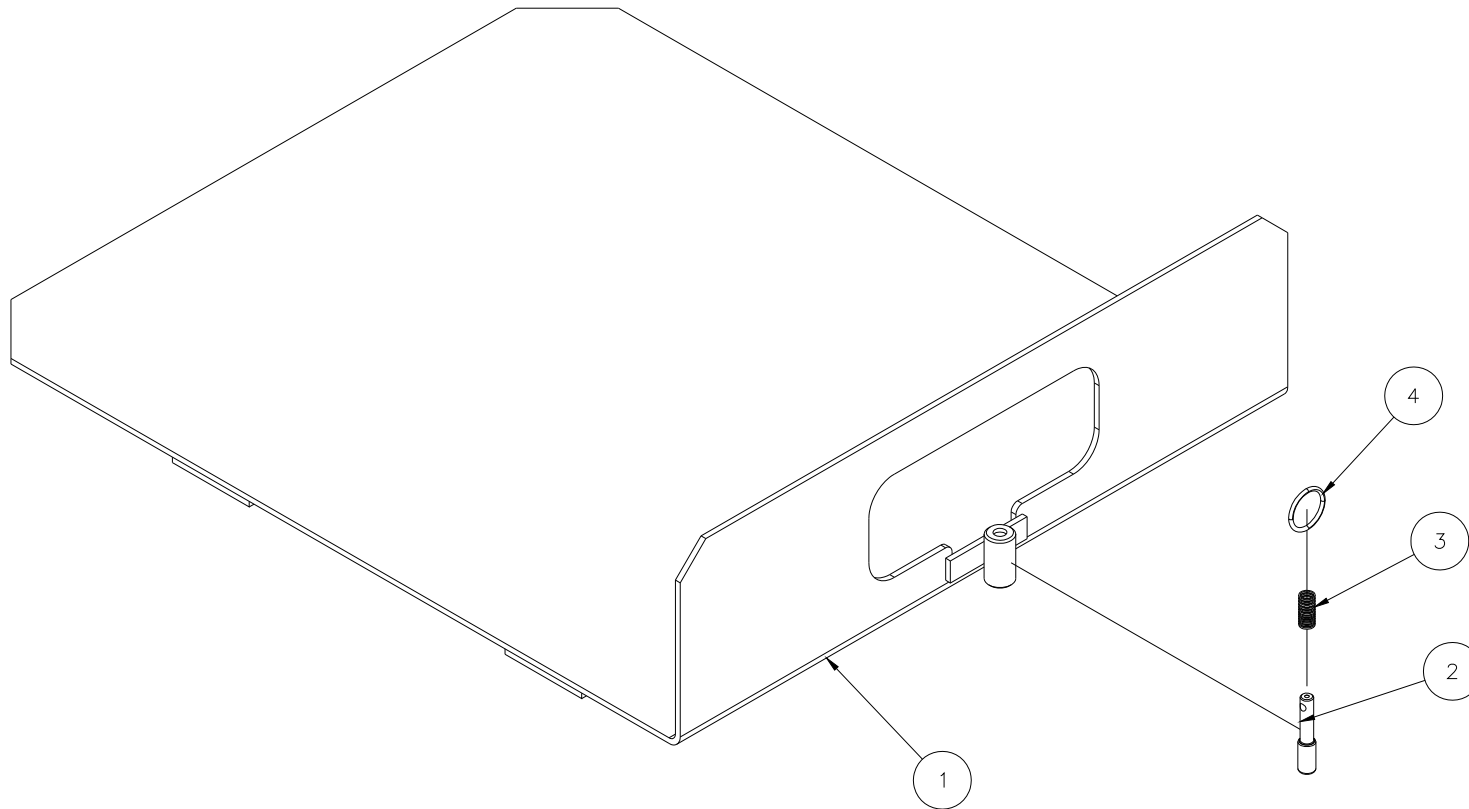
6	772358	1	NUT, INSERT JAM 1/2-13
5	771120	1	SCREW, HHC 1/2-13 X 1-1/2
4	773094	1	WASHER, FL 1/2 SAE
3	782960	1	ROLLER SHAFT
2	780025	1	SHEAVE, RAB 2"
1	784781	1	SPREADER PLATE WELDMENT
Item	Part No.	Qty	Description
Parts List			

784784 - 2416 SPREADER PLATE ASSEMBLY



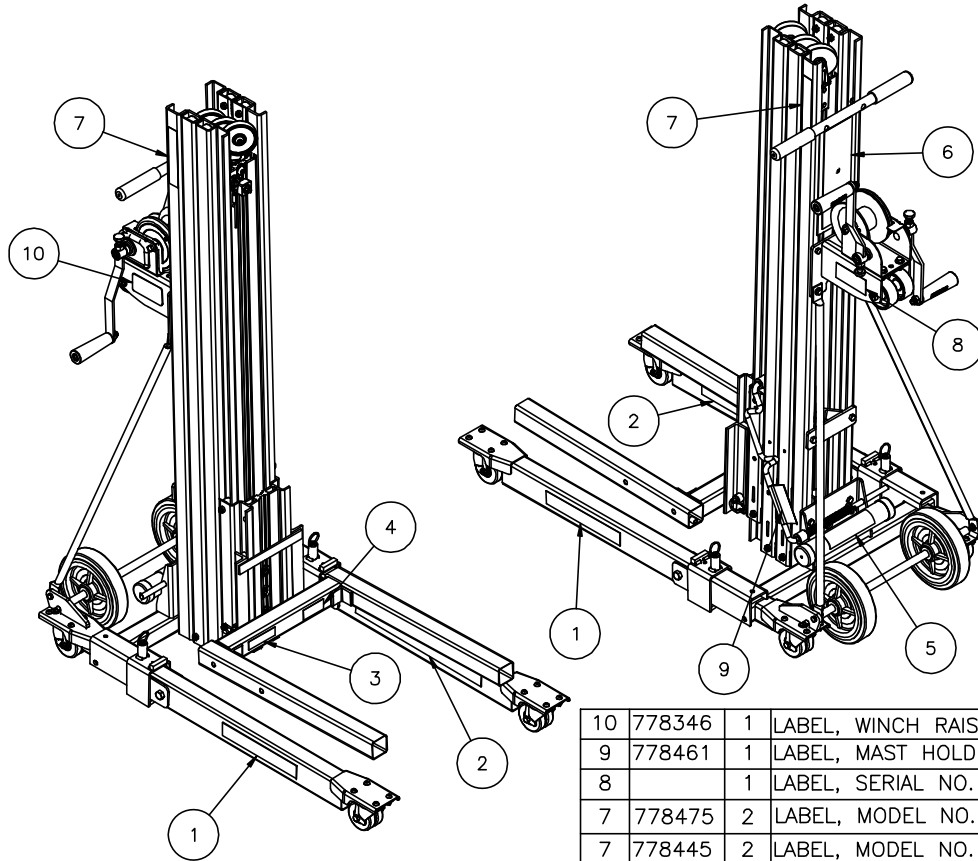
6	772358	1	NUT, INSERT JAM 1/2-13
5	771120	1	SCREW, HHC 1/2-13 X 1-1/2
4	773094	1	WASHER, FL 1/2 SAE
3	782960	1	ROLLER SHAFT
2	780025	1	SHEAVE, RAB 2"
1	784788	1	SPREADER PLATE WELDMENT 2416
Item	Part No.	Qty	Description
Parts List			

784320 - TRAY ASSEMBLY



4	775110	1	SPLIT RING 1-1/4" NICK PLTD.
3	776212	1	SPRING, #DWC-042-G-9
2	782510	1	PLUNGER
1	784321	1	TRAY WELDMENT 2412 LIFT
Item	Part No.	Qty	Description
Parts List			

2400 LABEL KIT



10	778346	1	LABEL, WINCH RAISE/LOWER
9	778461	1	LABEL, MAST HOLD DOWN BAR TYPE
8		1	LABEL, SERIAL NO.
7	778475	2	LABEL, MODEL NO. 2416
7	778445	2	LABEL, MODEL NO. 2412
6	778458	1	LABEL, LARGE WARNING 2200 LIFT
5	778906	1	LABEL, OPERATORS MANUAL
4	778347	1	LABEL, NO RIDERS WARNING
3	778339	1	LABEL, CARRIAGE LATCH WARNING
2	778457	2	LABEL, "DO NOT STAND UNDER LOAD"
1	778450	2	LABEL, "SUMNER" 2200 LIFT
Item	Part No.	Qty	Description
Parts List			