



Southwire™

FSS TYPE BOXES

DOUBLE

FEATURES

- Detachable mounting feet enable easy installation
- Accommodates standard covers and accessories
- Surface mounted electrical box which has two conduit entrance hubs on one wall of the box only

APPLICATIONS

- Use for straight line conduit runs, splices and for multiple dead end circuit terminations
- Ideal when additional support is required for stub ups
- Uses double gang electrical device cover

STANDARD MATERIAL

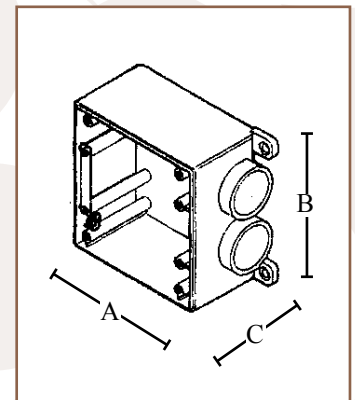
- PVC



1297



| PART # | SIZE | MASTER QTY. | WEIGHT/ CASE (LBS.) | A | B | C |
|--------|------|-------------|---------------------|---------|---------|--------|
| 1297 | 1/2" | 5 | 4 | 4.5625" | 4.5625" | 2.375" |
| 1298 | 3/4" | 5 | 3 | 4.5625" | 4.5625" | 2.375" |
| 1299 | 1" | 5 | 3 | 4.5625" | 4.5625" | 2.375" |



Rev. 0, 06/23

**BUILT FOR DURABILITY.
BUILT FOR RELIABILITY.
BUILT FOR WORK.™**

1-855-798-6657 | SOUTHWIRE.COM

©2023 Southwire Company, LLC. All rights reserved.
*Registered Trademark & ™Trademark of Southwire Company, LLC.