



Southwire®

EMT RAIN TIGHT CONNECTORS

COMPRESSION TYPE WITH INSULATED THROAT - STEEL

FEATURES

- Compression type connectors
- Concrete tight and raintight
- Assembled with a steel locknut & gasket
- Insulated throat

APPLICATION

- Use to join EMT to box or enclosure

STANDARD MATERIAL

- Steel

STANDARD FINISH

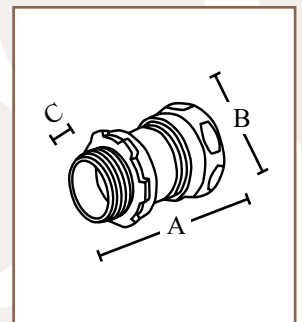
- Zinc plated



651SiRT



PART #	SIZE	INNER QTY.	MASTER QTY.	WEIGHT/ CASE (LBS.)	A	B	C
651SiRT	1/2"	25	250	28	.689"	.50"	1.125"
652SiRT	3/4"	25	250	38	.75"	.50"	1.375"
653SiRT	1"	10	100	27	.846"	.562"	1.687"
654SiRT	1-1/4"	---	25	12	1.687"	1.012"	2.062"
655SiRT	1-1/2"	---	20	9	1.717"	1.062"	2.25"
656SiRT	2"	---	15	12	1.875"	1.125"	2.75"
657SiRT	2-1/2"	---	12	20	1.968"	1.562"	3.625"
658SiRT	3"	---	6	13	2.689"	1.562"	4.25"
659SiRT	3-1/2"	---	5	13	2.812"	1.812"	4.687"
660SiRT	4"	---	3	9	2.812"	1.812"	5.187"



Rev. 0, 05/23

**BUILT FOR DURABILITY.
BUILT FOR RELIABILITY.
BUILT FOR WORK.™**

1-855-798-6657 | SOUTHWIRE.COM

©2023 Southwire Company, LLC. All rights reserved.
*Registered Trademark & ™Trademark of Southwire Company, LLC.