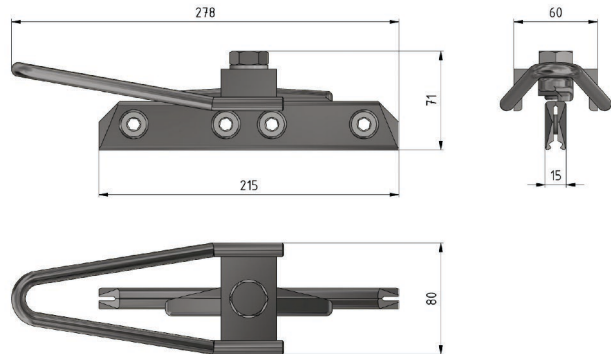
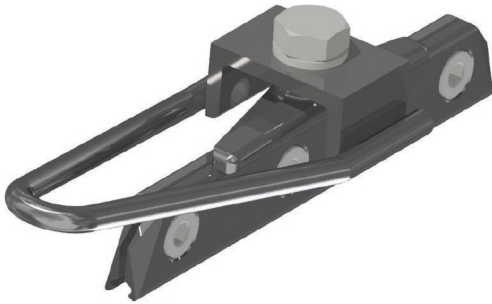


# Tension compensation clamp short for 1 grooved contact wire 100-120 mm<sup>2</sup>

Item number D1132-01



## Dimensions

L: 215 mm

## Material and weight

Weight: 1.290 kg

Material: STL HDG

## Loads

P permissible: 7.5 kN



**Southwire™**



A COLAS RAIL COMPANY

Contact Us: [Transit@southwire.com](mailto:Transit@southwire.com)