



Southwire™

EMT INSULATING BUSHINGS

FEATURES

- Provides smooth, rounded surfaces at ends of raceways and avoids abrasion damage to cables

APPLICATION

- Indoor use only
- Protects cables in communications and security systems against abrasion from edge of EMT

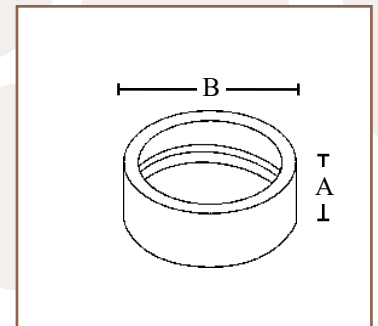
STANDARD MATERIAL

- Polyethelene



1662

PART #	SIZE	INNER QTY.	MASTER QTY.	WEIGHT/ CASE (LBS.)	A	B
1661	1/2"	100	1000	5	.522	.57
1662	3/4"	100	1000	6	.538	.764
1663	1"	50	500	5	.614	.954
1664	1-1/4"	25	250	4	.62	1.26
1665	1-1/2"	25	250	5	.62	1.44
1666	2"	20	200	5	.619	1.86
1667*	2-1/2"	---	25	1	1.12	2.34
1668*	3"	---	25	2	1.19	2.78
1669*	3-1/2"	---	25	2	1.22	3.27
1670*	4"	---	25	2	1.22	3.71



*EMT and Rigid

Rev. 0, 01/23

**BUILT FOR DURABILITY.
BUILT FOR RELIABILITY.
BUILT FOR WORK.™**

1-855-798-6657 | SOUTHWIRE.COM

©2023 Southwire Company, LLC. All rights reserved.
*Registered Trademark & ™Trademark of Southwire Company, LLC.