

LED Surface Mount Downlight

CCT SELECTABLE



Sleek Surface Mount Downlighting

Topaz's LED Surface Mount Downlights are a sleek lighting solution for entries, hallways, closets and living rooms in hospitality and multi-family applications. This ultra-thin fixture allows for complete ambiance control with a convenient switch to choose from five popular color temperatures and dimming capabilities. Easily installs in most 3.5" and 4" octagon or round junction boxes to enhance the aesthetic of any space.

FEATURES

- Sleek, 0.6" ultra-thin profile surface mount downlight
- 5 CCT Selectable: 2700K, 3000K, 3500K, 4000K or 5000K
- Excellent 90 CRI light with uniform wide beam distribution
- Superior flicker free dimming down to 5%
- T24 JA8: Can be used to comply with California Energy Commission's High Efficacy LED light source requirements

SUGGESTED APPLICATIONS

- Residential and commercial applications
- Multi-family, hospitality, hallways and living rooms
- Surface mount installations in most 3-1/2" and 4" octagon or round junction boxes
- Suitable for use in closets when installed in accordance with the requirements of NEC section 410.16 (A)(3) and 410.16 (C)(5)





Job Name/Title: _____ Catalog Number _____

Contractor: _____ Notes: _____

LED Surface Mount Downlight CCT SELECTABLE

GENERAL SPECIFICATIONS

Input Voltage, Frequency: 120V, 60Hz **CRI:** 90
Power Factor, THD %: >0.97, <10% **Functional Life (L70):** 50,000 hours
Dimmable: Down to 5% **Location Rating:** Wet
Efficacy: Up to 74 LPW **Ambient Operating Temp:** -4°F to 113°F

ITEM SPECIFICATIONS / ORDER INFO

Catalog Number	Order Code	UPC	Lumens	Wattage	Input Current	CCT	Beam Angle	ENERGY STAR
SMD5/RND/11/CTS-46	70967	751338038912	770	11W	0.13A	2700K/3000K/3500K/4000K/5000K	110°	Y
SMD7/RND/17/CTS-46	70969	751338038929	1,250	17W	0.18A	2700K/3000K/3500K/4000K/5000K	110°	Y

NOMENCLATURE

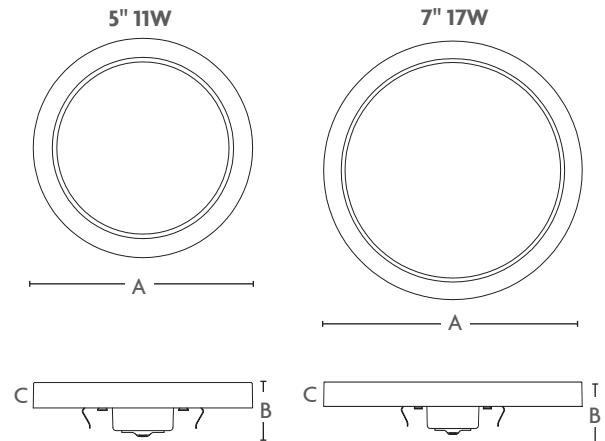
Example: SMD5/RND/11/CTS-46
SMD5 = 5" Surface Mount Downlight / **RND** = Round / **11** = 11 Watts / **CTS** = Color Temperature Selectable
SMD7 = 7" Surface Mount Downlight / **17** = 17 Watts

ENERGY SAVINGS

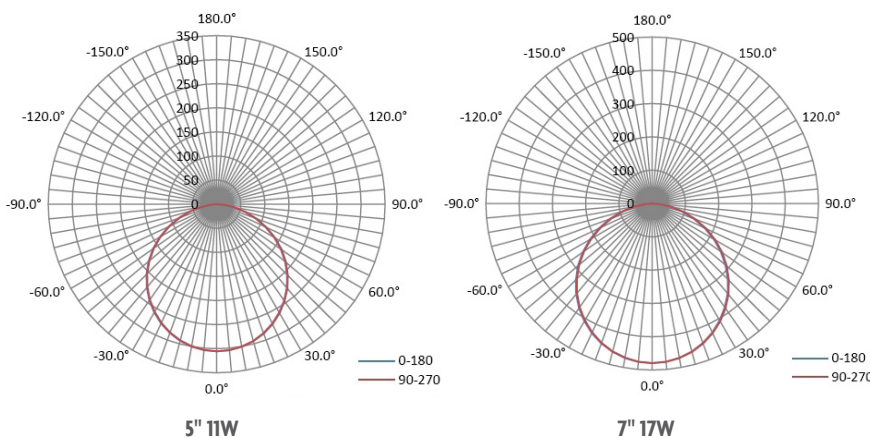
Catalog Number	LED Wattage	Incandescent Replacement Wattage	Watts Saved	Yearly Savings	5 Year Savings
Based on 12 hours/day and \$0.11/kWh					
SMD5/RND/11/CTS-46	11W	65W	54W	\$26.02	\$130.09
SMD7/RND/17/CTS-46	17W	85W	68W	\$32.76	\$163.81

PRODUCT DIMENSIONS / LINE DRAWING

Catalog Number	(A)	(B)	(C)	Weight
SMD5/RND/11/CTS-46	5.12"	1.26"	0.59"	0.64 Lbs.
SMD7/RND/17/CTS-46	7.09"	1.26"	0.59"	1.01 Lbs.



POLAR PLOTS



NOTES:

Dimming- This product is designed to be compatible with most leading-edge type incandescent and LED style dimmers. (Dimming range 100% down to 5%). Product performance may vary depending on dimmer manufacturer and circuit loading. Visit www.topaz-usa.com/led-dimmer-compatibility for up-to-date dimmer compatibility information.

Specifications subject to change without prior notice. Replacement wattage shown depends on application and fixture.

This device complies with Part 15 of the FCC Rules. Operation is subject to the following two conditions: (1) this device may not cause harmful interference, and (2) this device must accept any interference received, including interference that may cause undesired operation.

WARNING: Some products included in this specification sheet may be subject to the warning requirements of California's Proposition 65. Please refer to your product packaging for more information.

Revised October 2021