



Southwire™

SERVICE ENTRANCE CAPS

THREADED TYPE

FEATURES

- Provides water resistant cap to protect service entrance cables
- Threaded style enables easy installation

- Mounts on top of EMT, Rigid, or IMC conduit
- Serves as a connecting point for the service entrance wires

APPLICATION

- Use in an overhead service entrance

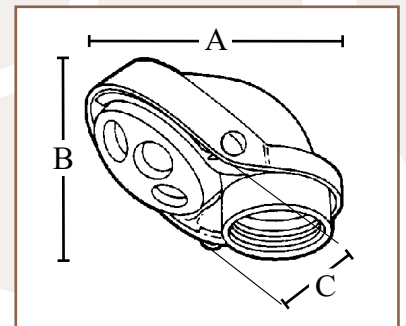
STANDARD MATERIAL

- Aluminum



741

PART #	SIZE	INSIDE HOLE SIZE	# HOLES	INNER QTY.	MASTER QTY.	WEIGHT/ CASE (LBS.)	A	B	C
741	1/2"	19/64"	4	5	50	12	2.68"	2.60"	2"
742	3/4"	3/8" 13/32"	2 3	5	50	15	3.80"	2.72"	2.37"
743	1"	7/16" 1/2"	2 3	---	50	15	3.32"	3.11"	2.62"
744	1-1/4"	27/64" 5/8"	2 3	---	20	10	4.46"	3.20"	3"
745	1-1/2"	19/32" 7/16" 3/4"	2 1 3	---	10	7	4.85"	4.34"	3.31"
746	2"	17/32" 3/4" 1"	1 2 3	---	5	4	6.62"	5.44"	4.62"
747	2-1/2"	7/8" 1" 1-5/16"	3 1 3	---	2	8	9.74"	7.80"	6"
748	3"	7/8" 1" 1-5/16"	3 1 3	---	1	6	10.50"	8"	8"
749TZ	3-1/2"	1-1/8" 1-3/4"	4 3	---	1	6	13.02"	9.39"	8"
750	4"	1-1/8" 1-3/4"	2 4	---	1	7	13.14"	8.54"	8"
750A	5"	1-1/8" 1-3/4"	2 4	---	1	12	11.28"	8.77"	8.25"
750B	6"	1-1/8" 1-3/4"	2 4	---	1	14	12.25"	9.76"	8.25"



Rev. 0, 02/23

**BUILT FOR DURABILITY.
BUILT FOR RELIABILITY.
BUILT FOR WORK.™**

1-855-798-6657 | SOUTHWIRE.COM

©2023 Southwire Company, LLC. All rights reserved.
*Registered Trademark & ™Trademark of Southwire Company, LLC.