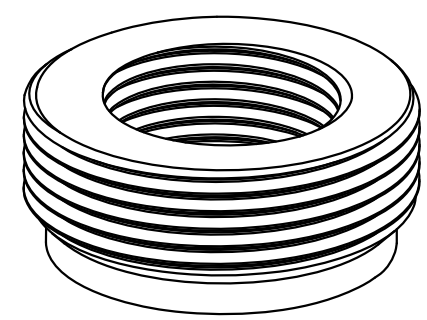
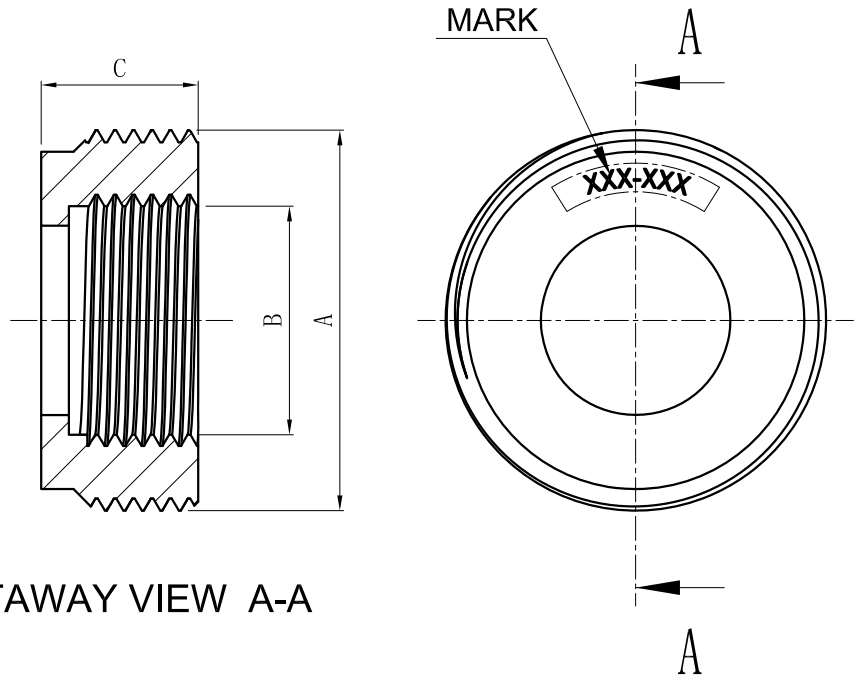


SIDES	BOTTOM
Material:316 Stainless steel	

ITEM	A (NPSM)	B (NPSM)	C	MARK	STD.PKG
RB-25050-SS	2-1/2"	1/2"	1.18"	2 1/2"-1/2"	5
RB-25075-SS	2-1/2"	3/4"	1.18"	2 1/2"-3/4"	5
RB-250100-SS	2-1/2"	1"	1.18"	2 1/2"-1"	5
RB-250125-SS	2-1/2"	1-1/4"	1.18"	2 1/2"-1-1/4"	5
RB-250150-SS	2-1/2"	1-1/2"	1.18"	2 1/2"-1-1/2"	5
RB-250200-SS	2-1/2"	2"	1.18"	2 1/2"-2"	5
RB-300100-SS	3"	1"	1.18"	3"-1"	1
RB-300125-SS	3"	1-1/4"	1.18"	3"-1 1/4"	1
RB-300150-SS	3"	1-1/2"	1.18"	3"-1 1/2"	1
RB-300200-SS	3"	2"	1.18"	3"-2"	1
RB-300250-SS	3"	2-1/2"	1.18"	3"-2 1/2"	1
RB-350200-SS	3-1/2"	2"	1.18"	3 1/2"-2"	1
RB-350250-SS	3-1/2"	2-1/2"	1.18"	3 1/2"-2 1/2"	1
RB-350300-SS	3-1/2"	3"	1.18"	3 1/2"-3"	1
RB-400200-SS	4"	2"	1.18"	4"-2"	1
RB-400250-SS	4"	2-1/2"	1.18"	4"-2 1/2"	1
RB-400300-SS	4"	3"	1.18"	4"-3"	1
RB-400350-SS	4"	3-1/2"	1.18"	4"-3 1/2"	1
RB-500400-SS	5"	4"	1.18"	5"-4"	1
RB-600500-SS	6"	5"	1.18"	6"-5"	1



DESCRIPTION
TRADE REFERENCE TERMS

STANDARD PACKING	GARVIN INDUSTRIES STEEL REDUCING BUSHING		
SEE ABOVE			
TITLE	SIZE	DWG NO.	REV
	A4	RB-SS	A

This data sheet is for reference only .GARVIN INDUSTRIES reserves the right to make changes to the design without prior notice.