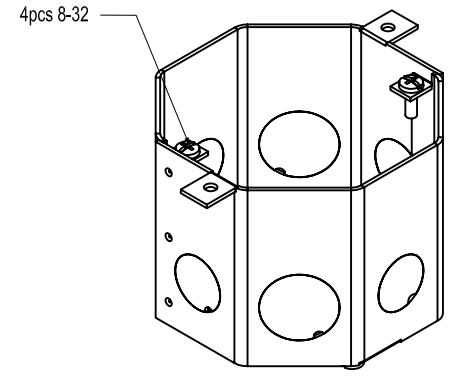
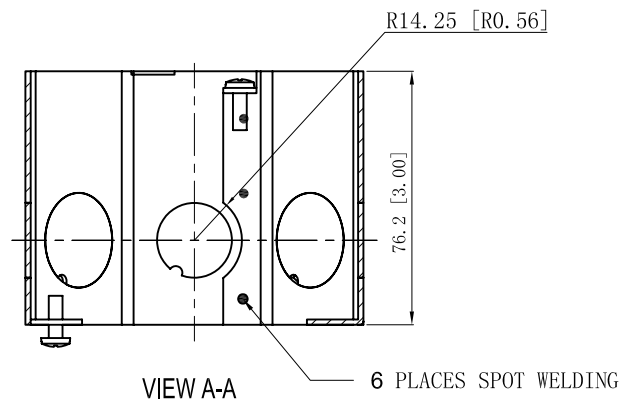
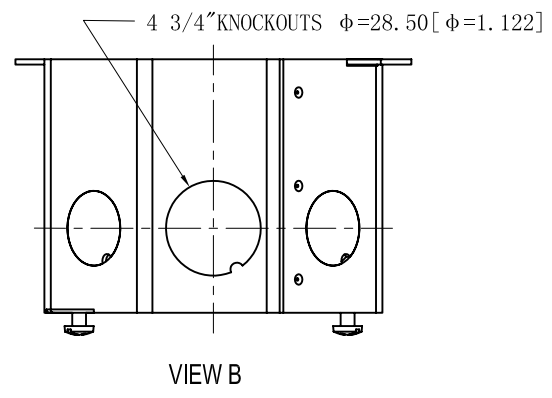
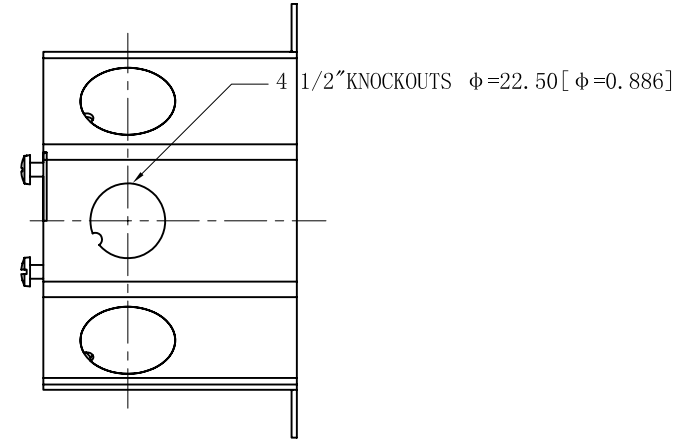
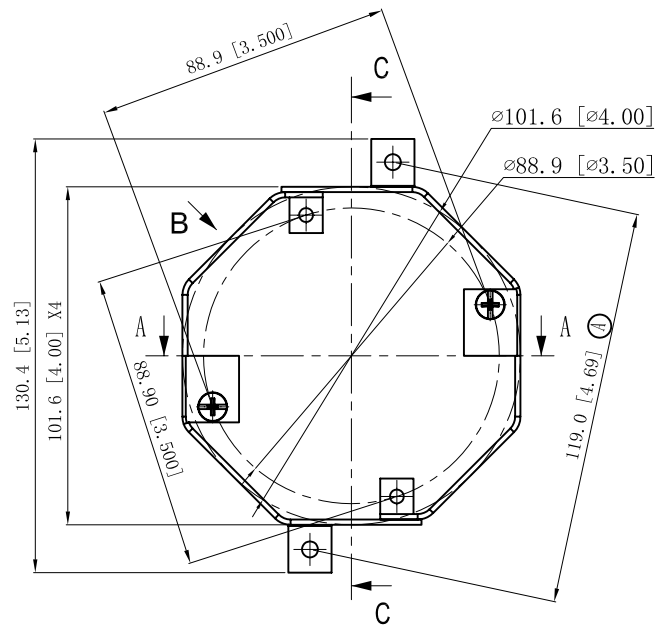
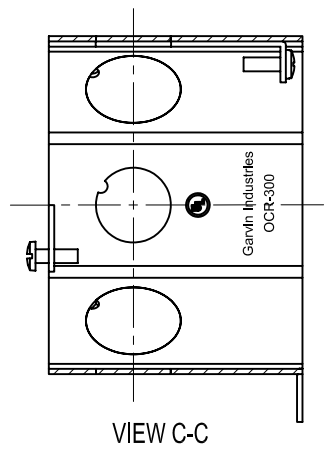


| | |
|--|---------------|
| SIDES | BOTTOM |
| 4 1/2" KNOCKOUTS | |
| 4 3/4" KNOCKOUTS | |
| 4 PCS 8-32×1/2 Screws Installed | |
| Material: Steel-0.0625"-G60 Galvanized | |



This data sheet is for reference only .GARVIN INDUSTRIES reserves the right to make changes to the design without prior notice.

| |
|-----------------------|
| DESCRIPTION |
| |
| TRADE REFERENCE TERMS |
| |

| | | | |
|------------------|--|---------|-----|
| STANDARD PACKING | <h1 style="text-align: center;">GARVIN INDUSTRIES</h1> <h2 style="text-align: center;">OCTAGON CONCRETE RINGS</h2> | | |
| | | | |
| 20 PCS | SIZE | DWG NO. | REV |
| | A4 | OCR-300 | C |
| DATA SHEET | | | |