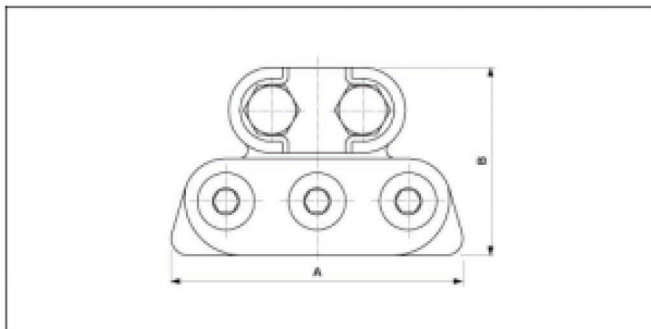


## Feeder clamp ETB 120-185 mm<sup>2</sup>

Item number D0445-01



### Dimensions

B: 66 mm

A: 102 mm

### Material and weight

Material: Bz

Weight: 0.650 kg

### Comments

- For grooved contact wire 80-120 mm<sup>2</sup>
- For cables 120-185 mm<sup>2</sup>



**Southwire**<sup>™</sup>



A COLAS RAIL COMPANY

Contact Us: [Transit@southwire.com](mailto:Transit@southwire.com)