



Southwire™

CONDUIT BODIES

LR TYPE

FEATURES

- Rectangular shaped conduit body with a removable cover
- Conduit body contains two conduit hubs
- Facing the cover side with the end wall hub pointing up, the second hub is in the right side wall at the opposite end of the fitting

APPLICATION

- Use for a 90° change of direction of the conduit run

STANDARD MATERIAL

- PVC
- Screws - Zinc plated steel

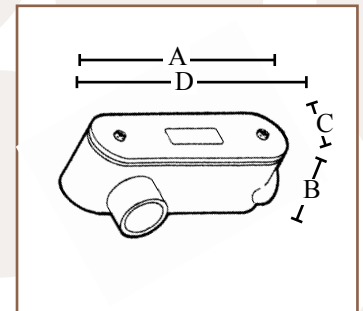


1170TZ



1161

PART #	SIZE	MASTER QTY.	WEIGHT/ CASE (LBS.)	A	B	C	D
1161	1/2"	25	5	4"	1.4375"	1.3125"	4.25"
1162	3/4"	15	4	4.625"	1.625"	1.50"	4.9375"
1163	1"	10	4	5.375"	2"	1.75"	6"
1164	1-1/4"	10	8	7.1875"	2.4375"	2.4375"	7.625"
1165	1-1/2"	10	10	8"	2.8125"	2.625"	8.5625"
1166	2"	5	8	9.50"	3.4375"	3.0625"	9.875"
1167	2-1/2"	5	25	1' .75"	4.625"	4.625"	1' 2.9375"
1168	3"	5	27	1' .8125"	4.625"	4.625"	1' 3"
1169	3-1/2"	4	29	1' .8125"	5.50"	5.625"	1' 3.9375"
1170TZ	4"	4	30	1' .8125"	5.50"	5.625"	1' 4.1875"



Rev. 0, 05/23

**BUILT FOR DURABILITY.
BUILT FOR RELIABILITY.
BUILT FOR WORK.™**

1-855-798-6657 | SOUTHWIRE.COM

©2023 Southwire Company, LLC. All rights reserved.
*Registered Trademark & ™Trademark of Southwire Company, LLC.