

LED Area Light HID REPLACEMENT



Maximum Light, No Ballast

Topaz's HID Replacement LED Area Lights have been designed with a unique fold out design to maximize light distribution. The Ballast Bypass operation and rotatable EX39 mogul base make this lamp an easy replacement for traditional HID lamps. Suitable for enclosed fixtures, these area lights are designed for use in shoebox and canopy retrofit applications to illuminate parking lots and anywhere area lights are needed.

FEATURES

- UL Type B, Ballast Bypass operation - no ballast or external driver required
- Unique, fold out LED array maximizes light distribution
- Rotatable EX39 mogul base
- Replacement for traditional HID lamps
- Suitable for enclosed fixtures

SUGGESTED APPLICATIONS

- Shoebox and canopy retrofit applications
- Parking lots
- Area lighting



LED Area Light HID REPLACEMENT

GENERAL SPECIFICATIONS

Input Voltage, Frequency: 120-277V, 50/60Hz
Power Factor, THD %: >0.9, <20%
Dimmable: Not for use with standard dimmers
Surge Protection Rating: 4kV
Efficacy: Up to 150 LPW

CRI: 80
Functional Life (L70): 50,000 hours
Location Rating: Damp
IP Rating: IP64
Ambient Operating Temp: -22°F to 140°F

Operating Position: Horizontal
Base: EX39
Housing Construction: Aluminum heatsink
Finish / Color: White
Lens Type: Polycarbonate lens

ITEM SPECIFICATIONS / ORDER INFO

Catalog Number	Order Code	UPC	Lamp Lumens	Fixture Lumens	Wattage	Input Current 120V/277V	CCT	Beam Angle	DLC ID ¹
LARL/80/850/EX39-81	72731	751338039155	11,200	8,109	80W	0.67/0.29A	5000K	160°	PLFCTOGAB3IS
LARL/110/850/EX39-81	72732	751338039162	16,500	12,100	110W	0.92/0.40A	5000K	160°	PL8Q73Y1BDP8

NOMENCLATURE

Example: LARL/80/850/EX39-81

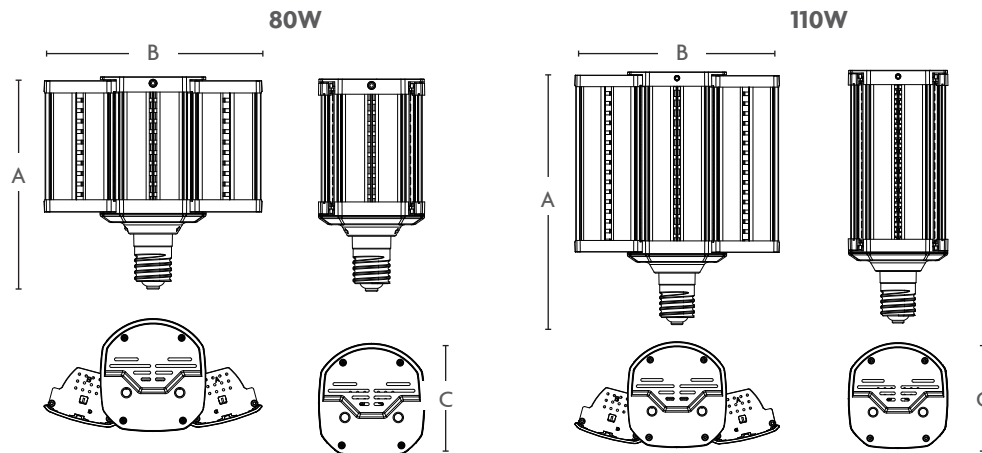
LARL = Lamp Area Light / 80 = 80 Watt / 850 = 80 CRI, 5000K / EX39 = Base
 110 = 110 Watt

ENERGY SAVINGS

Catalog Number	LED Wattage	HID Replacement Wattage	Watts Saved	Yearly Savings	5 Year Savings
Based on 12 hours/day and \$0.11/kWh					
LARL/80/850/EX39-81	80W	250W-320W	240W	\$115.63	\$139.72
LARL/110/850/EX39-81	110W	400W	290W	\$578.16	\$698.61

PRODUCT DIMENSIONS / LINE DRAWING

Catalog Number	(A)	(B)	(C)	Weight	Minimum Compartment Size
LARL/80/850/EX39-81	8.47"	9"	4.66"	2.425 Lbs.	11" x 11" x 9.25"
LARL/110/850/EX39-81	11.1"	9.02"	4.66"	3.681 Lbs.	11" x 11" x 11.52"



NOTES:

Specifications subject to change without prior notice. Replacement wattage shown depends on application and fixture.

¹Replacement Lamps for Outdoor Pole/Arm-mounted Area and Roadway Luminaires (Type B)

This device complies with Part 15 of the FCC Rules. Operation is subject to the following two conditions: (1) this device may not cause harmful interference, and (2) this device must accept any interference received, including interference that may cause undesired operation.

WARNING: Some products included in this specification sheet may be subject to the warning requirements of California's Proposition 65. Please refer to your product packaging for more information.

February 2021