



Southwire™

EMT OFFSET CONNECTORS

SET SCREW TYPE - EMT TO BOX - ZINC DIE CAST

FEATURES

- Concrete tight when taped

APPLICATION

- Indoor or outdoor use
- Use to connect EMT conduit to a metal outlet box or enclosure where an offset is desired

STANDARD MATERIAL

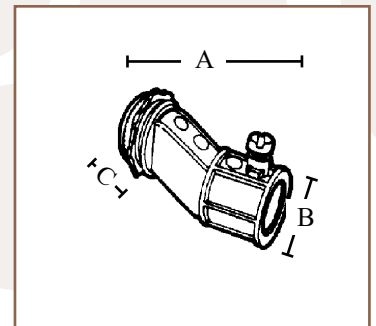
- Zinc die cast

CERTIFICATIONS

- cULus



771



PART #	SIZE	INNER QTY.	MASTER QTY.	WEIGHT/ CASE (LBS.)	A	B	C
771	1/2"	10	100	12	2.10"	.94"	.52"
772	3/4"	10	100	19	3"	1.16"	.52"
773	1"	10	100	25	3.16"	1.42"	.67"

Rev. 0, 01/23

**BUILT FOR DURABILITY.
BUILT FOR RELIABILITY.
BUILT FOR WORK.™**

1-855-798-6657 | SOUTHWIRE.COM

©2023 Southwire Company, LLC. All rights reserved.
*Registered Trademark & ™Trademark of Southwire Company, LLC.