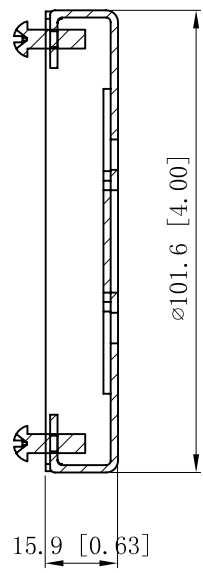
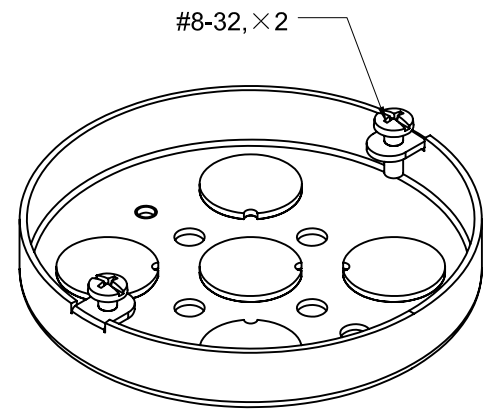
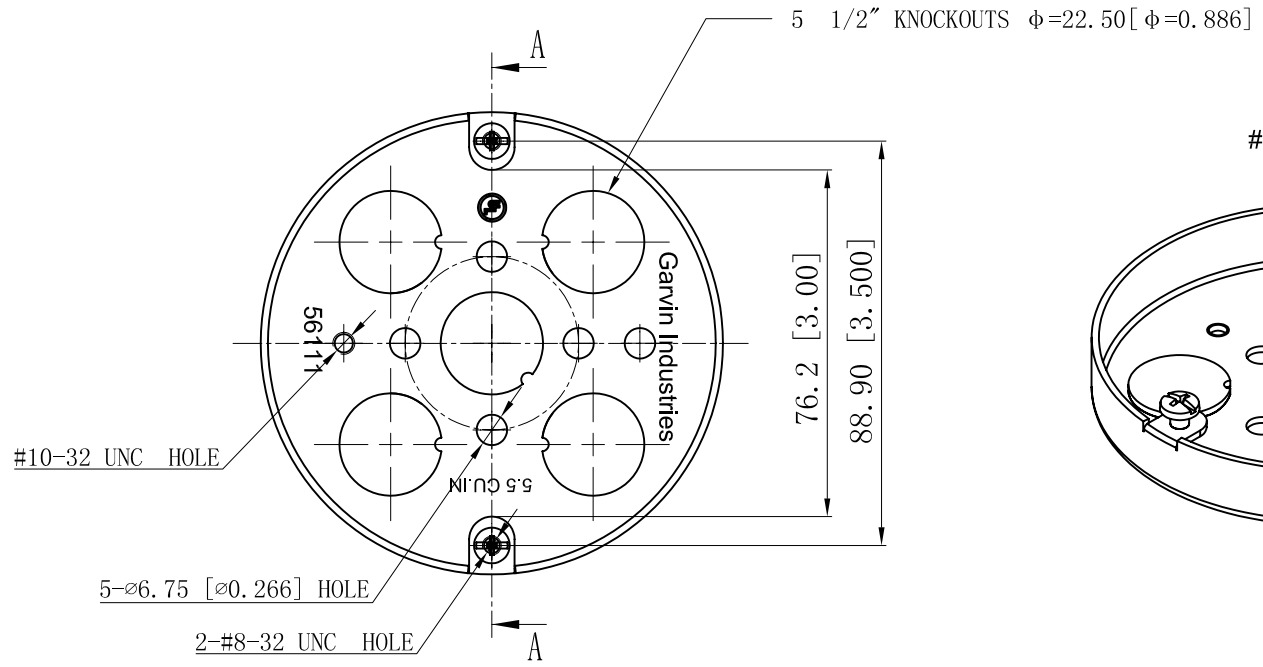


SIDES	BOTTOM
	5 1/2" KNOCKOUTS
2 PCS 8-32x1/2 Screws Installed	
Material: Steel-0.0625"-G60 Galvanized	



CUTAWAY VIEW A-A



This data sheet is for reference only .GARVIN INDUSTRIES reserves the right to make changes to the design without prior notice.

DESCRIPTION
TRADE REFERENCE TERMS

STANDARD PACKING	<h1 style="text-align: center;">GARVIN INDUSTRIES</h1> <h2 style="text-align: center;">"4" ROUND CEILING PLATES & FAN BOX</h2>		
50 PCS			
	SIZE A4	DWG NO. 56111	REV B
DATA SHEET			