

1

2

3

4

5

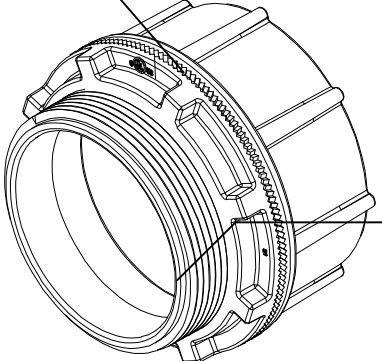
6

7

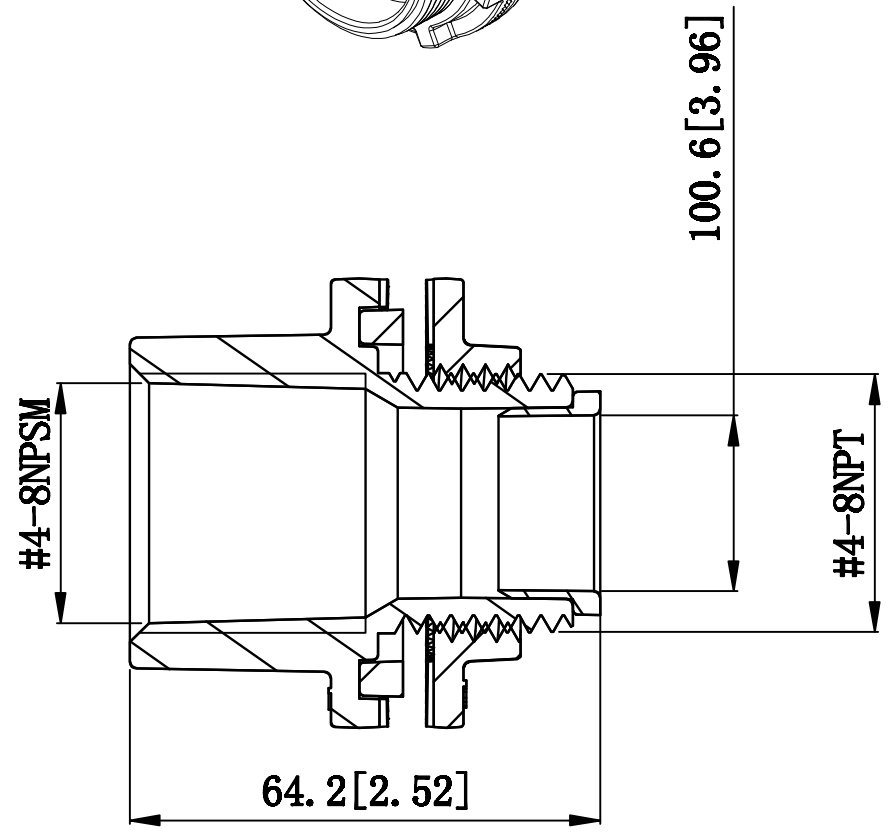
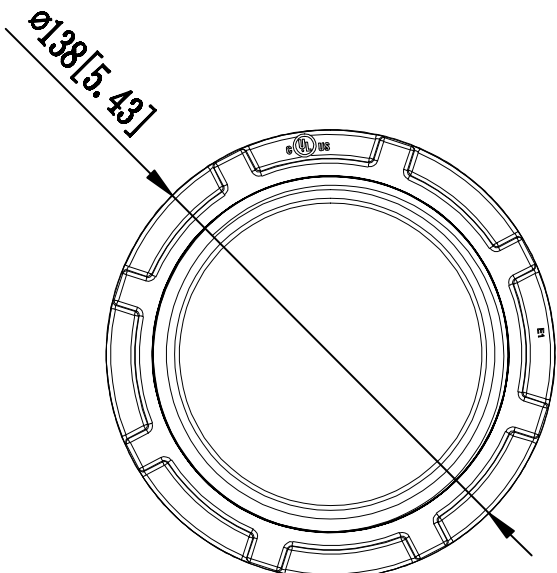
SIDES	BOTTOM
1 Pcs TWH-400 Sealing ring	
1 Pcs TWH-400 With Insulated throat	

REVISIONS			
SYM.	BY.	REVISIONS	DATE
A.			

TWH-400 Sealing ring



TWH-400 With Insulated throat



**NOTES:**  
 1.All dimensions in millimeters and [inches];  
 2.Free of sharp edge and burrs.max burr 0.5[0.0196].

UNLESS OTHERWISE SPECIFIED DIMENSIONS ARE IN INCHES TOLERANCES ARE: X.X ±2.04[±0.1] X.XX ±1.27[±0.05] X.XXX ±0.200[±0.008]		NAME	DATE
MATERIAL ZAMAK			
FINISH			
DO NOT SCALE DRAWING INTERPRET PER ASME Y14.5M-1994			

<b>GARVIN INDUSTRIES</b>			
TITLE			
SIZE A4	DWG NO. WH400	REV	
SCALE: 1:1	PRINT DATE	REFERENCES	SHEET 1 OF 1

