

6" LED Recessed Can

Remodel Construction IC Air Tight

RH6/RLED/IC/AT

Product Specifications

Features Quick Connect for use with LED Trim Module

Thermal Protector

Self resetting thermal protector deactivates fixture if overheating occurs due to improper lamping or misapplied insulation

Remodel Clips

Four remodel clips secure housing and accommodates 1/2" and 5/8" ceiling materials



Installation

Junction Box

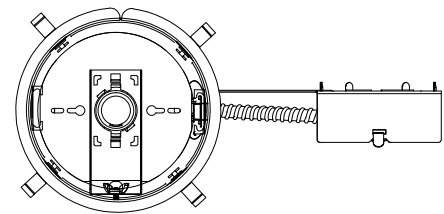
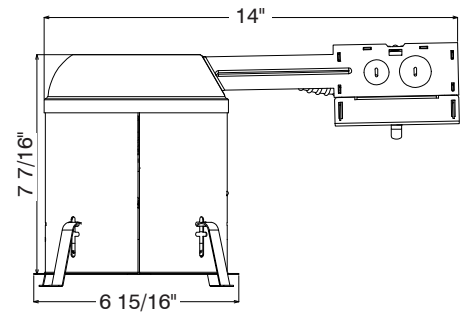
Listed for through branch circuit wiring. Contains six 7/8", one 1-1/8" knockouts and four Romex pryouts with strain relief

Labels and Listings

cULus Listed for Feed Through Wiring
Certified under ASTM - E283 for Air Tight Construction



Product Code: 79993
Item # RH6/RLED/IC/AT



Specifications Subject To Change Without Notice

Series	Aperture Size	Lamp Orientation	Construction	Lamp Style	Insulation Contact	Airtight	Voltage	Options
RH= Recessed Housing	4	Blank=Vert	R=Remodel	Blank=Incand.	Blank=Non-IC	Blank=Non-AT	Blank=120	Any Modifications
	5	H=Hor	N=New	C=CFL	IC=IC	AT=AT	H=120/277	
	6			G=GU LED=LED LV=Low Voltage				