

SIDES

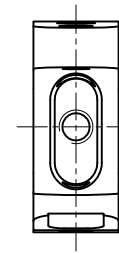
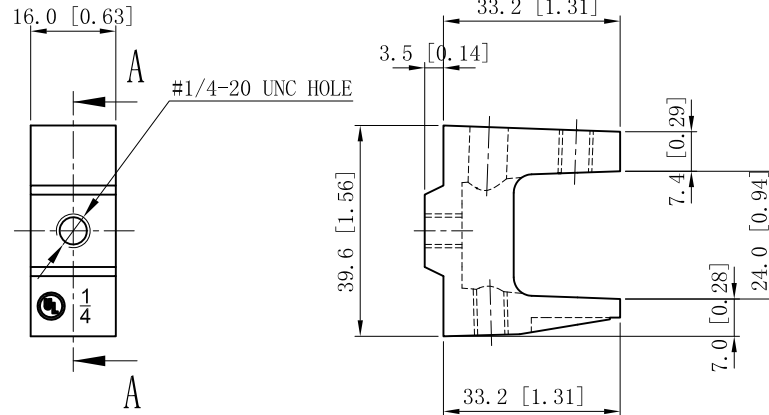
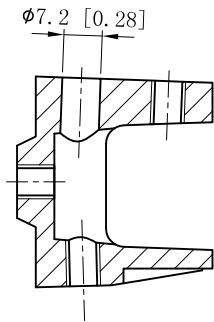
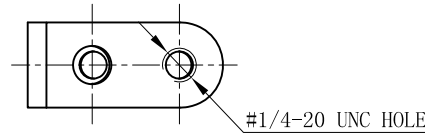
BOTTOM

UL File #

E332115

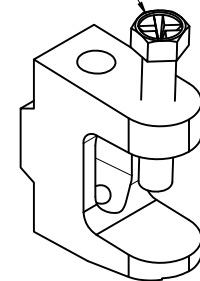
1 PCS 1/4-20×1 1/4 Screws Installed

Material:Steel-Malleable Lron 32510 Sandblast

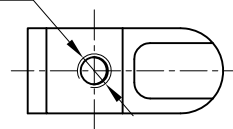


CUTAWAY VIEW A-A

#1/4-20 UNC



#1/4-20 UNC HOLE



This data sheet is for reference only .GARVIN INDUSTRIES reserves the right to make changes to the design without prior notice.

DESCRIPTION
TRADE REFERENCE TERMS

STANDARD PACKING	<h1 style="text-align: center;">GARVIN INDUSTRIES</h1> <h2 style="text-align: center;">PIPE-FITTERS TOP BEAM CLAMP</h2>			
50 PCS				
	TITLE	SIZE	DWG NO.	REV
		A4	JFC-1420	
	DATA SHEET			