

## ROMEX® BRAND SMARTBOX™ ORIGINAL 1 GANG HORIZONTAL DEVICE BOX

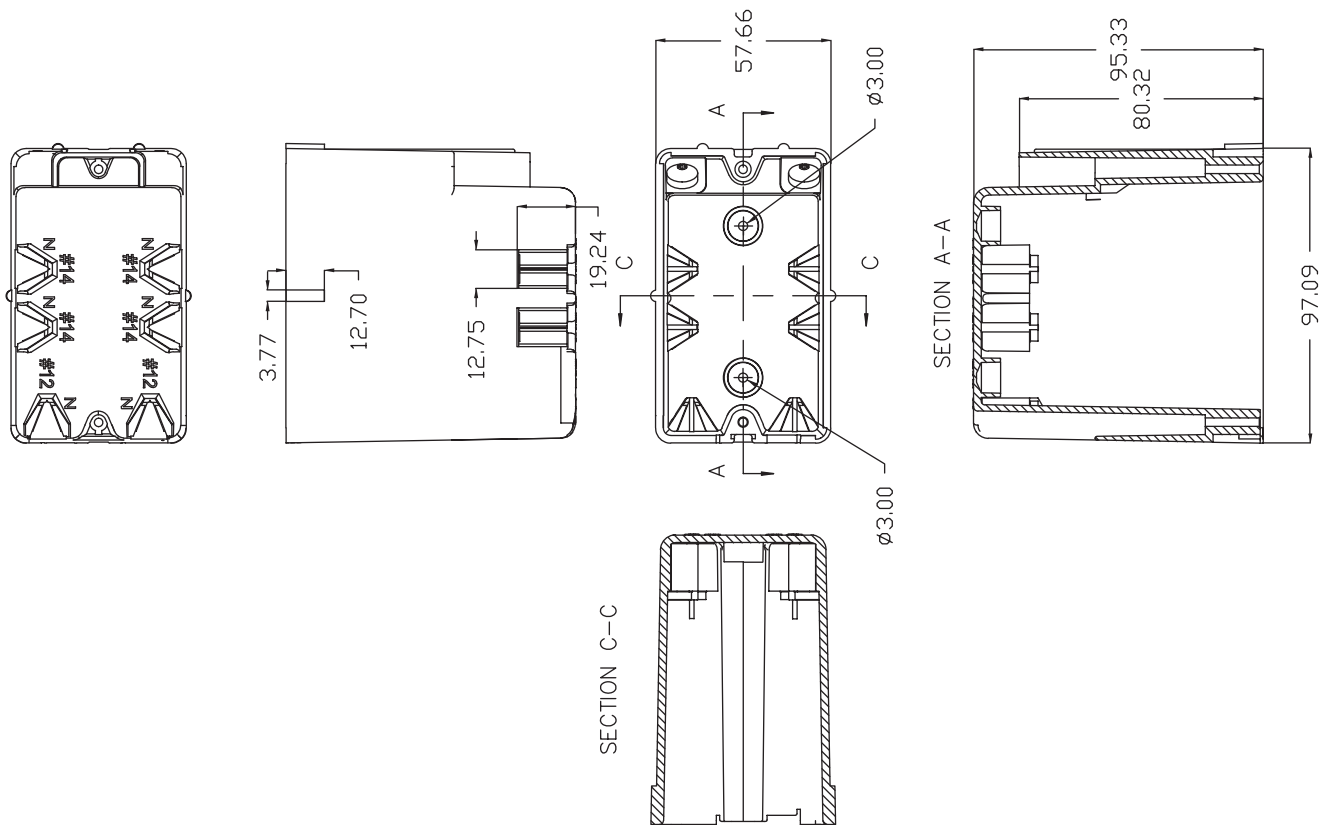
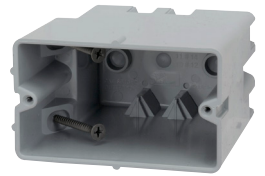


### FEATURES:

- Mounts horizontally.
- Depth adjustable.
- Step down feature allows for wire entrance in both top and bottom of box.
- Mounts to wood or 25 gauge metal stud.
- Extra thick PVC wall material creates stability and rigidity.
- Built-in wire clamps.
- All 6/32 device holes are threaded.
- Heavy-duty mounting screws supplied.

**TYPE OF INSTALLATION:** New Work & Old Work

**CERTIFICATIONS:** UL Listed E205857,  
UL Fire Rated/Classified for 2 hour wall,  
RoHS Compliant



| MODEL#      | MATERIAL   | UPC          | I20F5          | MASTER QTY    | TRADE SIZE   | VOLUME        |               |
|-------------|------------|--------------|----------------|---------------|--------------|---------------|---------------|
| MSBHZ       | PVC        | 784297017674 | 50784297017679 | 24            | 1 Gang       | 22.50 cu. in. |               |
| ITEM HEIGHT | ITEM WIDTH | ITEM DEPTH   | ITEM WEIGHT    | MASTER HEIGHT | MASTER WIDTH | MASTER DEPTH  | MASTER WEIGHT |
| 2.27 in.    | 3.82 in.   | 3.75 in.     | 0.32 lbs.      | 8.88 in.      | 8.25 in.     | 15.25 in.     | 7.60 lbs.     |

**BUILT FOR DURABILITY.  
BUILT FOR RELIABILITY.  
BUILT FOR WORK.™**

1-855-798-6657 | SOUTHWIRE.COM

©2021 Southwire Company, LLC. All rights reserved.  
®/TM - Registered Trademark and ™ Trademark of Southwire Company, LLC