



Southwire™

PULL ELBOWS

FEATURES

- Meets NEMA TC 3 requirements

APPLICATION

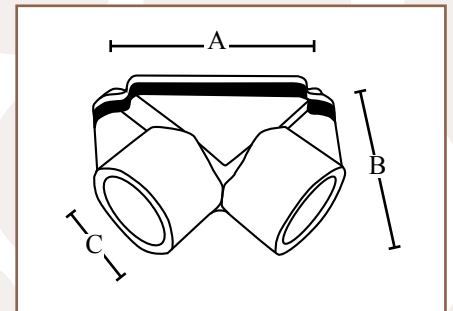
- Enables sharp 90° turns in conduit where wires must be continuously pulled around the turn
- Smooth, defect free interior ensures wires will not be damaged from abrasion
- Not used for wire splices

STANDARD MATERIAL

- PVC
- Gasket - Closed cell rubber
- Screws - Zinc plated steel



1091



PART #	SIZE	MASTER QTY.	WEIGHT/CASE (LBS.)	A	B	C
1091	1/2"	75	7	2.125"	1.50"	.875"
1092	3/4"	50	6	2.50"	1.625"	1.0625"

Rev. 0, 03/23

**BUILT FOR DURABILITY.
BUILT FOR RELIABILITY.
BUILT FOR WORK.™**

1-855-798-6657 | SOUTHWIRE.COM

©2023 Southwire Company, LLC. All rights reserved.
*Registered Trademark & ™Trademark of Southwire Company, LLC.