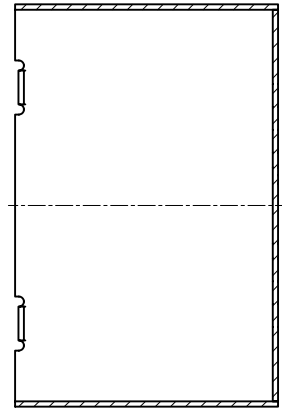
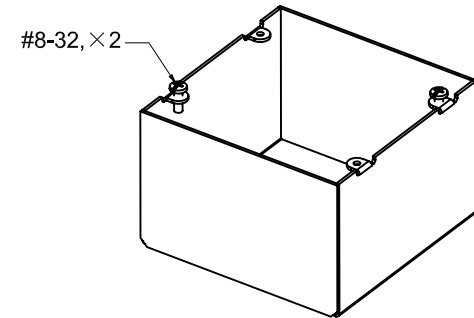
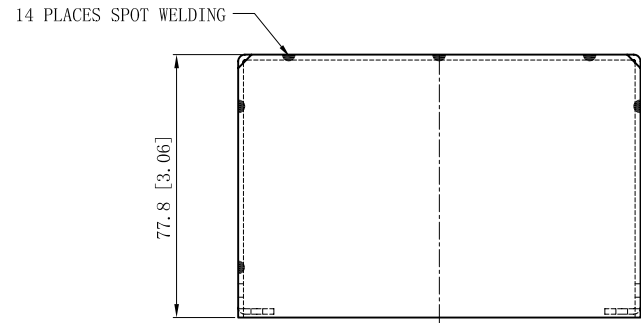
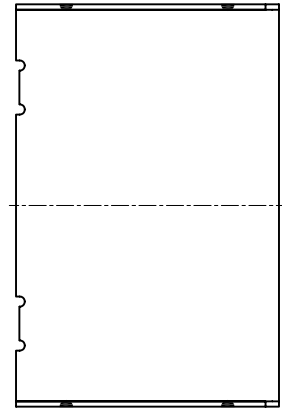
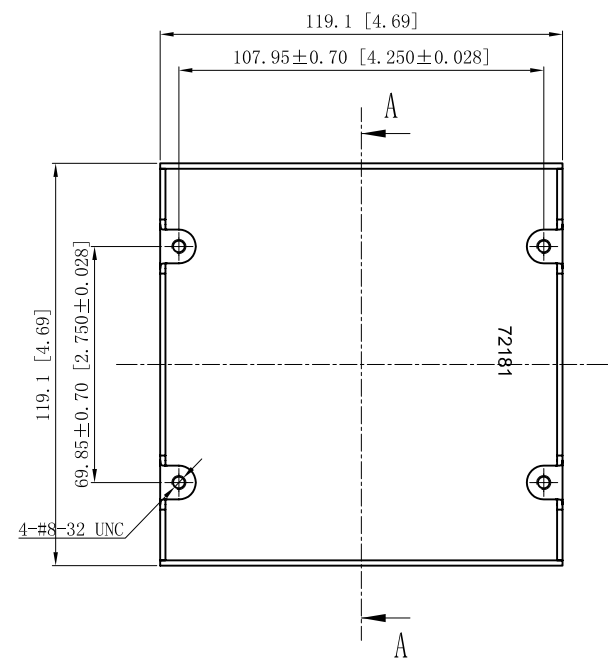


SIDES	BOTTOM
2 PCS 8-32×1/2 Screws Installed	
Material: Steel-0.0625"-G60 Galvanized	



CUTAWAY VIEW A-A



This data sheet is for reference only .GARVIN INDUSTRIES reserves the right to make changes to the design without prior notice.

DESCRIPTION
TRADE REFERENCE TERMS

STANDARD PACKING
25 PCS

GARVIN INDUSTRIES		
4-11/16" SQUARE BOXES 3" DEEP		
SIZE	DWG NO.	REV
A4	72181-BLNK	
DATA SHEET		