



Southwire™

END CAPS

FEATURES

- High tensile and impact strength
- Easy to install slip fit

APPLICATION

- Cap off pipe openings; allows access for future expansions or service
- Capping provides a finished look and inhibits damage from moisture and other elements

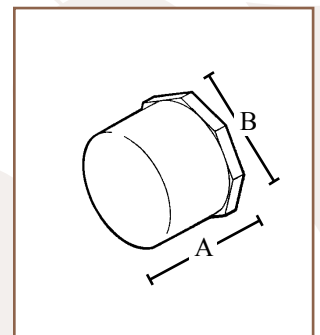
STANDARD MATERIAL

- PVC



1081

PART #	SIZE	MASTER QTY.	WEIGHT/ CASE (LBS.)	A	B
1081	1/2"	100	2	1"	1.0625"
1082	3/4"	100	4	1.25"	1.3125"
1083	1"	50	4	1.4375"	1.625"
1084	1-1/4"	25	2	1.50"	2"
1085	1-1/2"	25	3	1.625"	2.25"
1086	2"	50	8	1.75"	2.75"
1087	2-1/2"	25	7	2.125"	3.50"
1088	3"	25	13	2.25"	4"
1089	3-1/2"	25	15	2.3125"	4.625"
1090	4"	25	19	2.50"	5.0625"
1090A	5"	25	12	2.50"	6.125"
1090B	6"	10	19	3.3125"	7.25"



Rev. 0, 03/23

**BUILT FOR DURABILITY.
BUILT FOR RELIABILITY.
BUILT FOR WORK.™**

1-855-798-6657 | SOUTHWIRE.COM

©2023 Southwire Company, LLC. All rights reserved.
*Registered Trademark & ™Trademark of Southwire Company, LLC.