



# Southwire™

## NAIL STRAP CONDUIT SUPPORT WOOD STUD MOUNT FLAT TYPE - STEEL

### FEATURES

- Stamped teeth and pointed tip prevent accidental pull out

### APPLICATION

- Secures EMT or Rigid/IMC conduit to wood stud or surface

### STANDARD MATERIAL

- Steel

### STANDARD FINISH

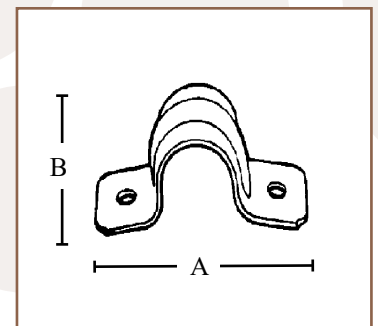
- Zinc plated



DS1TZ



PART #	FOR EMT CONDUIT	FOR RIGID CONDUIT	INNER QTY.	BOX QTY.
DS1TZ	1/2"	3/8"	100	1000
DS2	3/4"	1/2"	100	1000
DS3	1"	3/4"	100	1000



Rev. 0, 01/23

**BUILT FOR DURABILITY.  
BUILT FOR RELIABILITY.  
BUILT FOR WORK.™**

1-855-798-6657 | SOUTHWIRE.COM

©2023 Southwire Company, LLC. All rights reserved.  
\*Registered Trademark & ™Trademark of Southwire Company, LLC.