



Southwire™

SERVICE ENTRANCE CAPS

SET SCREW TYPE

FEATURES

- Eliminates sharp edges to protect wire
- Extended hood

APPLICATION

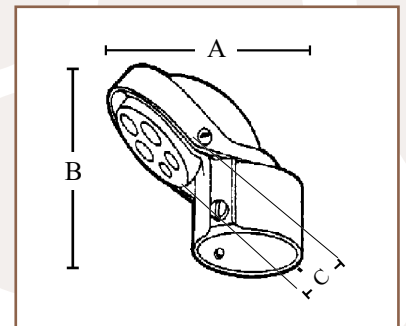
- Required in overhead applications
- For 2" to 2-1/2" pipe sizes

STANDARD MATERIAL

- Aluminum



704TZ



PART #	PIPE SIZE	HEAD SIZE	MASTER QTY.	WEIGHT/ CASE (LBS.)	A	B	C
704TZ	2"	1-1/4"	10	10	4.75"	4"	3.12"
705TZ	2-1/2"	1-1/4"	10	20	5.25"	4"	3"
706TZ	2-1/2"	2"	10	20	7"	5.50"	4.50"

Rev. 0, 02/23

**BUILT FOR DURABILITY.
BUILT FOR RELIABILITY.
BUILT FOR WORK.™**

1-855-798-6657 | SOUTHWIRE.COM

©2023 Southwire Company, LLC. All rights reserved.
*Registered Trademark & ™Trademark of Southwire Company, LLC.