



Job Name/Title: \_\_\_\_\_ Catalog Number \_\_\_\_\_

Contractor: \_\_\_\_\_ Notes: \_\_\_\_\_

## Bullhorn Mounting Brackets FOR AREA & FLOOD LIGHTS



### Mounting Brackets Made Easy

Bullhorn mounting brackets are designed to safely support multiple area or flood lights. With a sturdy steel construction and powder coat finish, these brackets can endure even in harsh environments. Engineered to be compatible with standard 2 3/8" fixture tenon size, Topaz Bullhorns are available in two, three and four arm configurations.

### FEATURES

- Steel construction
- Bronze finish
- Compatible with 2 3/8" fixture tenon size
- Max weight per arm: 110 Lbs.
- Mounting hardware included

### APPLICATIONS

- For use with steel or concrete poles



Job Name/Title: \_\_\_\_\_ Catalog Number \_\_\_\_\_

Contractor: \_\_\_\_\_ Notes: \_\_\_\_\_

## Bullhorn Mounting Brackets FOR AREA & FLOOD LIGHTS

### GENERAL SPECIFICATIONS

**Construction:** A500 grade B steel  
**Mounting Hardware:** Includes (4) M12x30mm screws  
**Location Rating:** Wet

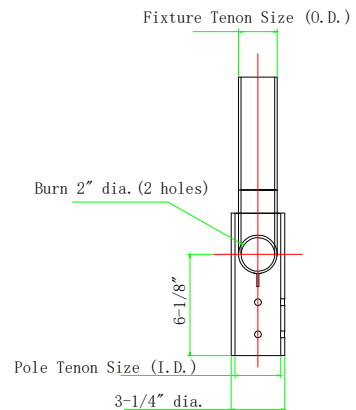
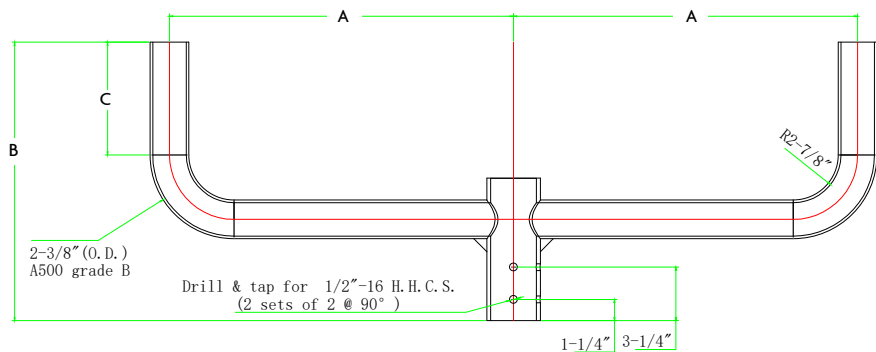
### ITEM SPECIFICATIONS / ORDER INFO

Catalog Number	Order Code	UPC	DIM A	DIM B	DIM C	Fixture Tenon Size (O.D.)	Pole Tenon Size (I.D.)	Unit Weight	Maximum Load Weight (Per Fixture)
BH2/BZ-96	70672	751338038745	21"	17"	6 7/8"	2 3/8"	2 7/8"	22.04 Lbs.	110 Lbs.
BH3/BZ-96	70675	751338038752	30 1/4"	17"	6 7/8"	2 3/8"	2 7/8"	28.66 Lbs.	110 Lbs.
BH3/120D/BZ-96	70710	751338038769	19 1/8"	11 3/4"	4"	2 3/8"	3 1/4"	15.43 Lbs.	110 Lbs.
BH4/90D/BZ-96	70735	751338038783	23 5/8"	11 3/4"	4"	2 3/8"	2 3/4"	18.73 Lbs.	110 Lbs.

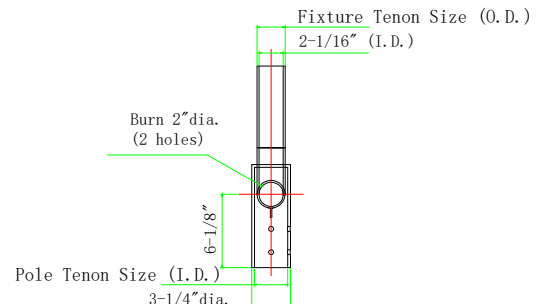
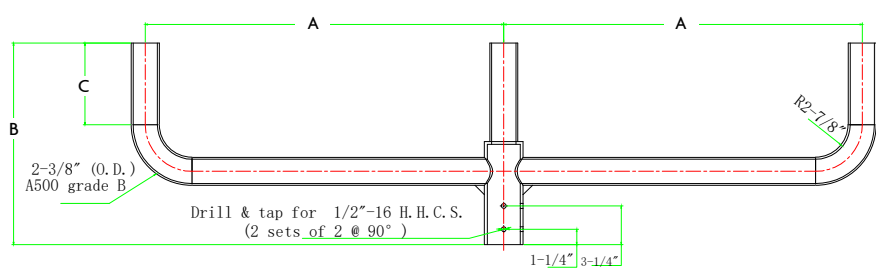
### NOMENCLATURE

**Example: BH2/BZ-96**  
**BH** = Bullhorn Bracket **2** = 2 Fixture / **Blank** = Standard / **BZ** = Bronze Finish  
**3** = 3 Fixture / **120D** = 120 Degree  
**4** = 4 Fixture / **90D** = 90 Degree

#### BH2/BZ-96



#### BH3/BZ-96



### NOTES:

The mounting arms and tenon adapters are designed for applications in areas of normal winds. Consult a qualified engineer prior to the design of systems on structures or areas known to have abnormal winds such as airports, bridges, or coastal areas. Failure to consider these factor in the system design could result in the failure of the pole or mast arm, and consequently personal injury or property damage.

Specifications subject to change without prior notice.

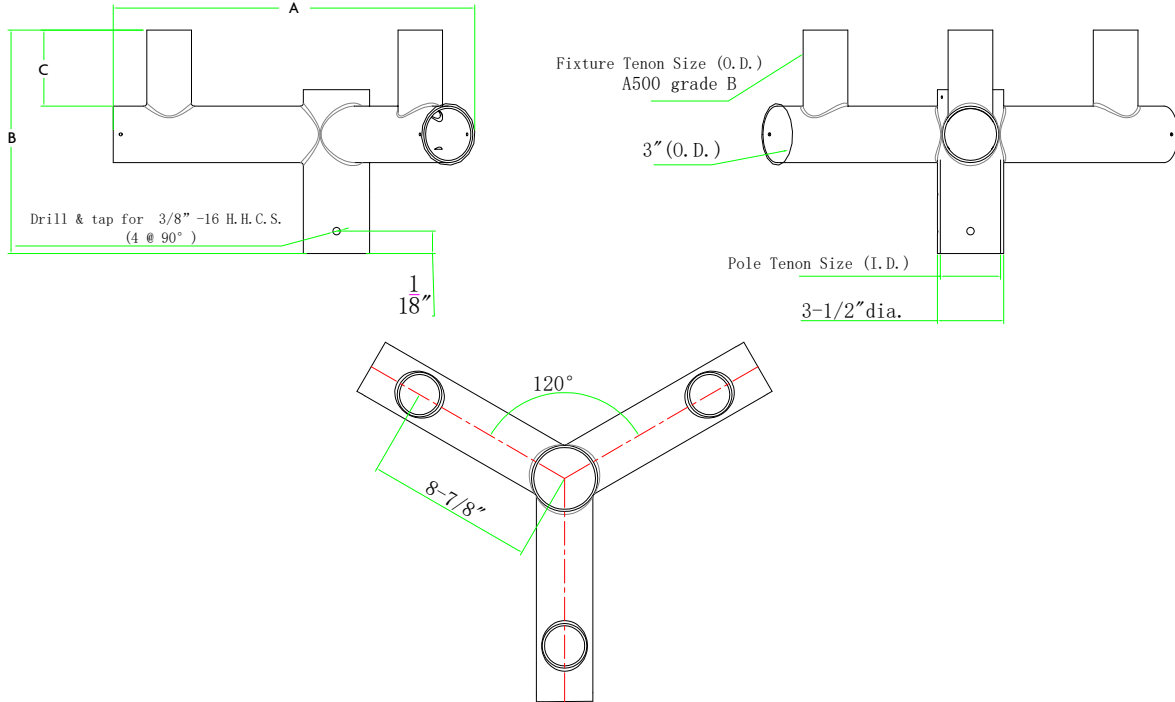
**WARNING:** Some products included in this specification sheet may be subject to the warning requirements of California's Proposition 65. Please refer to your product packaging for more information.



March 2021

## Bullhorn Mounting Brackets FOR AREA FLOOD LIGHTS

### BH3/120D/BZ-96



### BH4/90D/BZ-96

