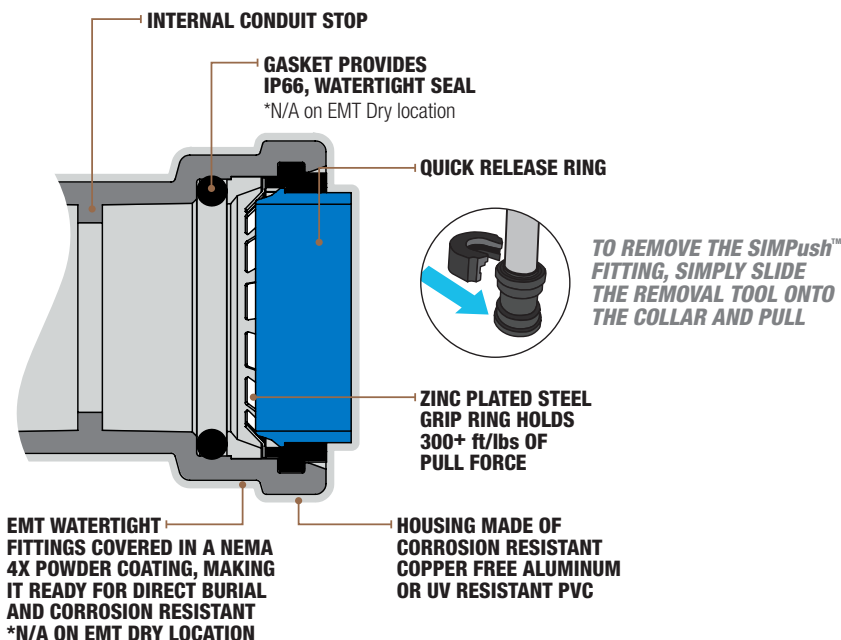


## EMT LL BODIES

Southwire® SIMPush™ EMT conduit bodies are used as junction or pull boxes and are usually installed in an EMT conduit system to facilitate a change in direction.

### FEATURES:

- Corrosion-resistant copper-free diecast aluminum construction
- Provides continuous ground
- Internally coated with lubricating grease
- Tested to 100 removal cycles for reuse
- Locking teeth are constructed from zinc-plated steel
- Body door is domed aluminum construction with zinc-plated steel screws



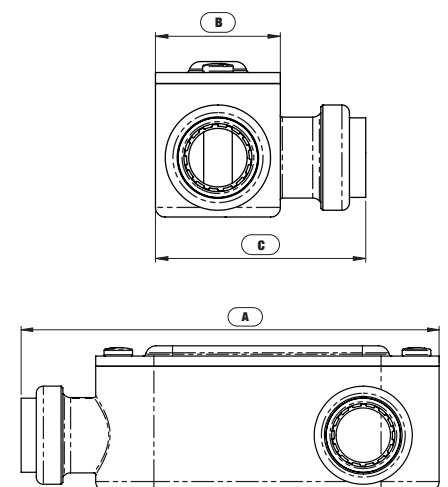
## 1/2" – 2"



**CERTIFICATIONS/RATINGS:**  
**E-FILE #: E474806**



DFTLL050, DFTLL075, DFTLL100,  
DFTLL125, DFTLL150, DFTLL200



Stock #	Model #	Trade Size	Quantity Per Box	H (in.) A	W (in.) B	L (in.) C	Associated Removal Tool Model #	Removal Tool Included
<b>CONTRACTOR PACK</b>								
65075302	E-LL-050W	1/2"	8	4.67	1.659	2.165	E-RT-1P	-
65075502	E-LL-075W	3/4"	6	5.505	1.899	2.487	E-RT-1P	-
65075602	E-LL-100W	1"	4	6.116	2.159	2.748	E-RT-P2	-
65075702	E-LL-125W	1-1/4"	4	8.064	3.109	3.589	E-RT-P2	-
65075802	E-LL-150W	1-1/2"	3	8.335	3.109	4.016	E-RT-P3	-
65075902	E-LL-200W	2"	1	10.756	3.669	4.925	E-RT-P3	-

Project Name:

Contractor:

Address:

**BUILT FOR DURABILITY.  
BUILT FOR RELIABILITY.  
BUILT FOR WORK.™**

1-855-798-6657 | [SOUTHWIRETOOLS.COM](http://SOUTHWIRETOOLS.COM)

©2020 Southwire Company, LLC. All rights reserved.  
\*Registered Trademark & ™Trademark of Southwire Company, LLC.